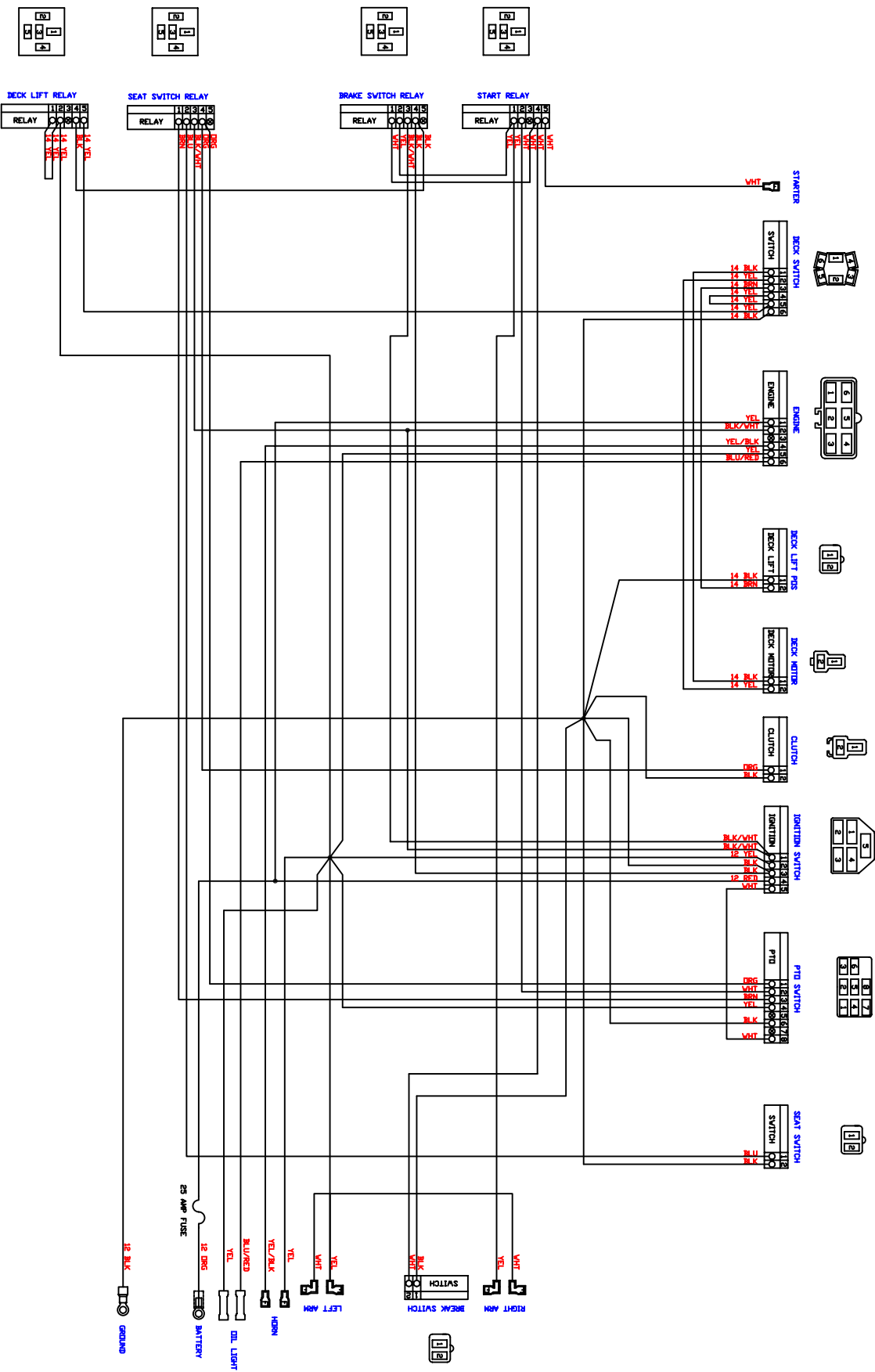


ALL WIRES 16GA UNLESS NOTED OTHERWISE.



THIS DRAWING AND THE INFORMATION IT CONTAINS ARE THE PROPERTY OF ELECTREX, INC. AND MAY BE USED BY OTHERS ONLY AS AUTHORIZED BY US.

ELECTREX, INC.
 HUTCHINSON, KS

CUSTOMER: BAID BIVY
 THEIR P/N: 086-2010-00
 DWG TITLE: SCHEMATIC
 OUR P/N: 919802SCHEMATIC

P 1 OF 1 REVISION: C
 DRAWN BY: AND DATE: 9/28/05