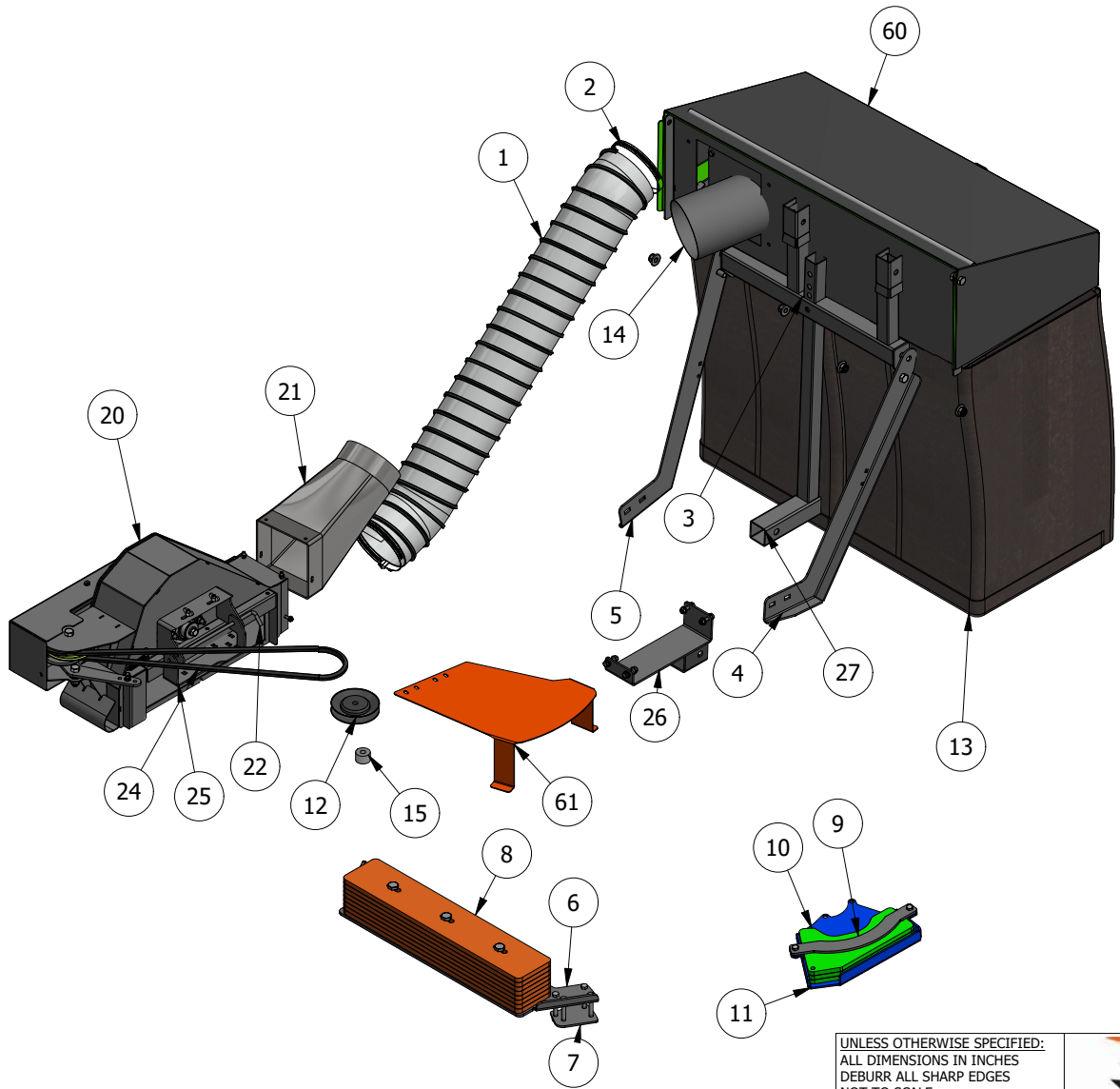


Parts List			
ITEM	QTY	PART NUMBER	DESCRIPTION
1	1	088-4062-00	Kanaflex Residential tube
2	2	015-0158-00	6-QUICK-RELEASE CLAMP
3	1	088-1899-00	Bagger Carrier Tube Weldment Residential
4	1	039-0106-00	MZ-ZT Bagger mount Brkt left
5	1	039-0107-00	MZ-ZT Bagger mount Brkt Right
6	1	026-0124-00	MZ-ZT Weight Mount Plate
7	2	026-0123-00	MZ-ZT Weight Washer Plate
8	8	088-1999-00	2019 Outlaw Counter Weight
9	1	026-0126-00	Deck weight strap
10	4	026-0125-00	Side Deck weight
11	1	026-0131-00	Mz 54 Deck weight mount plate
12	1	033-4300-00	2019 Blower Deck pulley
13	2	088-4065-00	30 gal Bag
14	1	039-0108-00	Discharge Coupler
15	1	025-0029-00	54 mz pulley spacer
20	1	088-1893-00	Paddle Blower Assembly
21	1	039-4900-00	Paddle Blower plastic chute
22	1	040-6070-00	Blower latch pin
24	1	041-0084-00	Blower belt 54
25	1	026-0191-00	MZ Paddle Bolwer Deck mount plate
26	1	093-1118-98	2018 2" Receiver Assembly
27	1	088-1897-00	Bagger Receiver tube weldment
60	1	088-1959-00	2023 2 bag carrier Assembly
61	1	014-5003-00	Paddle Blower pulley cover 60 Avenger



UNLESS OTHERWISE SPECIFIED:  
 ALL DIMENSIONS IN INCHES  
 DEBURR ALL SHARP EDGES  
 NOT TO SCALE  
 PART IS FULLY DESCRIBED  
 BY CAD MODEL

TOLERANCES:  
 .XX = ± .03  
 .XXX = ± .005  
 .XXXX = ± .0005  
 ANGULAR = ± 1°

Material:  
 See Parts List  
 Coating:



**BAD BOY MOWERS**  
 Bad Boy Inc.  
 102 Industrial Drive  
 Batesville, Arkansas  
 72501

File Name

Scale: NTS
Sheet Number <b>1 OF 1</b>
Revision:
Part Number <b>088-1818-00</b>
Description <b>54MZ Bagger Paddle</b>