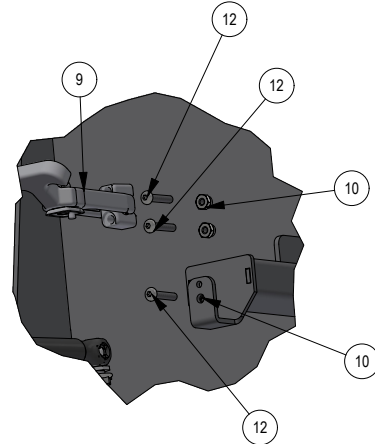




BAD BOY MOWERS

# PARTS SECTION: 2 Bag Carrier Assembly

Parts List				
ITEM	QTY	PART NUMBER	DESCRIPTION	
1	1	088-1963-00	2023 2 bag carrier weldment	
4	1	088-4063-23	2023 2 bag cover	
8	1	087-0010-00	Gas Spring	
9	1	052-8000-00	Rubber T-Handle with stud	
10	3	013-5019-00	10-24 NYLON INSERT LOCKNUT ZINC	
12	3	013-5021-00	10-24 X 1.25 BUTTON SOCKET CAP SCREW 18-8 STAINLESS STEEL	
13	2	018-2030-00	1/2-13 X 1 HEX CAP SCREW (GR.5) ZINC	
14	2	013-8050-00	1/2-13 NYLON INSERT FLANGE LOCKNUT ZINC	
15	2	019-8054-00	.505 ID X 1.000 OD X .125 THICK FLAT WASHER NYLON	
16	1	088-1962-00	2023 2 bag Lid weldment	
17	2	018-2050-00	10mm Damper Ball Stud-Steering	
18	2	013-9002-00	5/16-18 HEX SERRATED FLANGE NUT HARD/ZINC	
19	1	015-5455-36	Weather stripping 36-5,8	



DETAIL A

Hardware Bag #088-0037-00

