



RECON ATTACHMENTS
MINI SKID STEER RAKE GRAPPLE
OWNER'S OPERATOR SERVICE MANUAL

For additional information, please see us at

www.badboycountry.com



Owners/Operators Manual

Model Number _____

Serial Number _____

Serial Numbers 228073 and Greater
Date Created 05/07/26
Revised Date 05/07/26

Warranty Statement

1. WHAT THIS WARRANTY COVERS, AND FOR HOW LONG:

Bad Boy Mowers, LLC will, at its option, repair or replace without charge, any part covered by the warranty which is found to be defective in material and/or workmanship for one (1) year after the date of sale to the original retail purchaser **unless the product is used for rental purposes, in which case there is no warranty.**

At Bad Boy Mowers, LLC's request, customer will make the defective part available for inspection by Bad Boy Mowers, LLC and/or return the defective part to Bad Boy Mowers, LLC, with **transportation charges prepaid.**

2. WHAT THIS WARRANTY DOES NOT COVER:

- A. This warranty does not cover defects caused by depreciation or damage caused by normal wear, accidents, improper maintenance, improper use or abuse of the product, alterations, or failure to follow the instructions contained in the Owner's Manual for operation and maintenance.
- B. The customer shall pay any charges for making service calls and/or for transporting the implement to and from the place where the inspection and/or warranty work is performed. Bad Boy Mowers, LLC will not be responsible for the pickup and delivery of the implement for warranty purposes.
- C. Normal maintenance services or normal deterioration of exterior finish due to use or exposure.
- D. Replacement of services and items are subject to normal service replacement.

3. HOW TO OBTAIN SERVICE UNDER THIS WARRANTY:

- A. Warranty service can be arranged by contacting the dealer where you purchased the implement or by sending an email to warranty@badboycountry.com. Proof of the date of purchase may be required to verify warranty coverage. Warranty repairs must be completed by an authorized Bad Boy center.
- B. Warranty claims will not be reviewed or paid unless the warranty registration is received by Bad Boy Mowers, LLC within 30 days of the retail purchase date.
- C. Warranty claims requiring parts returned will be settled upon return of parts to Bad Boy for inspection.
- D. All warranty issues must be handled through an authorized service center or dealership.

4. **WARRANTY LIMITATION:**

A. **THERE IS NO OTHER EXPRESS WARRANTY. ANY WARRANTY THAT MAY BE IMPLIED FROM THIS PURCHASE, INCLUDING MERCHANTABILITY AND FITNESS FOR A PARTICULAR PURPOSE IS HEREBY LIMITED TO THE DURATION OF THIS WARRANTY AND TO THE EXTENT PERMITTED BY LAW. ANY AND ALL IMPLIED WARRANTIES ARE EXCLUDED.** Some states do not allow limitations on how long an implied warranty lasts, so the above limitations may not apply to you.

B. **BAD BOY MOWERS, LLC WILL NOT BE LIABLE FOR ANY INCIDENTAL, CONSEQUENTIAL, OR SPECIAL DAMAGES AND/OR EXPENSES IN CONNECTION WITH THE PURCHASE OR USE OF THE IMPLEMENT.** Some states do not allow the exclusion or limitation of incidental or consequential damages, so the above limitation(s) or exclusion(s) may not apply to you.

C. Only the warranty expressed in this limited warranty shall apply and no dealer, distributor, or individual is authorized to amend, modify, or extend this warranty in any way. Accordingly, additional statements such as dealer advertising or presentations, whether oral or written, do not constitute warranties by Bad Boy Mowers, LLC and should not be relied on.

D. This warranty extends only to implement operated under normal conditions and properly serviced and maintained. The warranty expressly does not cover (i) any defects, damage, or deterioration due to normal use, wear and tear, or exposure; (ii) normal maintenance services; (iii) damage or defects arising out of or relating to misuse, neglect, alteration, negligence, or accident; (v) repair or replacement arising from operation of or use of the implement which is not in accordance with operating instructions as specified in the Operator's Manual or other operational instructions provided by Bad Boy Mowers, LLC; (vi) repair or replacement arising as a result of any operation from implement that has been altered or modified so as to, indetermination of Bad Boy Mowers, LLC, adversely affect the operation, performance, or durability of the implement or that has altered, modified, or affected the implement so as to change the intended use of the product; (vii) repair or replacement necessitated by use of parts, accessories, or supplies, including gasoline, oil, or lubricants that are incompatible with the implement or other than as recommended in the Operator's Manual or other operational instructions provided by Bad Boy Mowers, LLC; (viii) repairs or

replacements resulting from parts or accessories which have adversely affected the operation, performance, or durability of the implement; or (ix) damage or defects due to or arising out of repair of implement by person or persons other than an authorized Bad Boy Mowers, LLC service dealer or the installation of parts other than genuine Bad Boy Mowers, LLC recommended parts. **As a condition of this warranty, customer shall have read the Operator's Manual and ensured the implement has been registered within 30 days of purchase.**

- E. This warranty gives you specific legal rights, and you may also have other rights, which vary from state to state.

**BAD BOY MOWERS, LLC
102 INDUSTRIAL DRIVE
BATESVILLE, AR 72501**

WWW.BADBOYCOUNTRY.COM

Technical Support:.....techsupport@badboycountry.com
Warranty:.....warranty@badboycountry.com
Parts:.....partsdept@badboycountry.com

Warranty Registration

Ensure selling dealership has registered the implement within 30 days of purchase to validate warranty. Please record the serial number, date of purchase, and dealership information for your records.

Serial # _____

Date of Purchase _____

Dealer Information _____

Features of Bad Boy Mini Skid Steer Root Rake Grapple includes:

- Constructed with AR400 plate for strength, durability and wear resistance.
- 2" bore x 6" stroke cylinders.
- Protected cylinder ports.
- Large jaw opening of 32.2".
- Greaseable pins at all pivot points.
- Recommended for loaders with operating capacity greater than 500 lb.

Mini Skid Steer Root Rake Grapple Specs

MODEL	CRG36	CRG42	CRG48
Overall Width (Inches)	35.8	43.8	51.8
Number of Tines (With Sides)	6	7	8
Grapple Jaw Opening (Inches)	32.2		
Approximate Weight (Pounds)	270	300	335 ²
Recommended Loader Capacity	Greater than 500 pounds		

²Bobcat® mount adds 20 pounds to model weight, and ASV® mount adds approximately 35 pounds.

Safety

- Always follow safety information.
- Keep bystanders back 50 feet.
- Never attempt to lift more than the operating capacity (attachment weight and load) of loader.
- Always follow all safety and operating instructions of loader.

Mini Skid Steer Root Rake Grapple Labels



5263PP – PINCH POINT WARNING LABEL



5264PP – CRUSH HAZARD WARNING LABEL



5265PP – HYDRAULIC WARNING LABEL

Initial Use

- Check that quick-tach on grapple fits onto loader properly. Pins must engage through plates at bottom of quick-tach.
- With bottom of attachment touching ground/floor, open jaw and slowly roll back grapple. Make sure there is no interference between attachment and loader with grapple jaw open and attachment fully rolled back.
- Make sure hoses do not pinch during roll back.
- Slowly roll grapple fully forward. Check that hoses are long enough so they do not stretch or bind.
- Hoses need to be secured to they do not get damaged during operation.
- Cycle jaw open/close. Check for oil leaks per instructions in “Maintenance” section.
- Read and understand all warning information in this manual before operating this attachment.
- Never exceed the maximum attachment operating pressure of 3800 psi.

Operation

- Always relieve pressure before disconnecting hydraulic hoses.
- Never hit or pound couplers.
- Never ram piles with jaw closed.
- Never hook a chain on jaw or bucket.
- Check for debris in quick-tach area before each hook-up.

Maintenance

Procedure	Every 10 Hours	Every 50 Hours
Grease hinge pins and cylinder pins (6 grease fittings total).	✓	
Inspect cylinders, hydraulic fittings and hoses for leaks and damage, replace as needed.	✓	
Check that all cylinder and hinge pins are secure.		✓
Check for loose, worn, or missing parts. Repair or replace as needed.		✓

- Make sure loader is shut off and hydraulic pressure is relieved before checking for leaks. Never use hands to check for high pressure hydraulic leaks.
- Contact your dealer for replacement parts.

Bolt Torque Chart

SIZE	GRADE 5		GRADE 8		SHCS*	
	COARSE	FINE	COARSE	FINE	COARSE	FINE
1/4"	6	7	9	10	10	12
5/16"	13	15	18	20	22	24
3/8"	23	26	33	37	38	43
7/16"	37	41	52	58	61	68
1/2"	57	64	80	90	93	105
9/16"	82	91	115	128	134	150
5/8"	113	128	159	180	179	202
3/4"	200	223	282	315	317	354

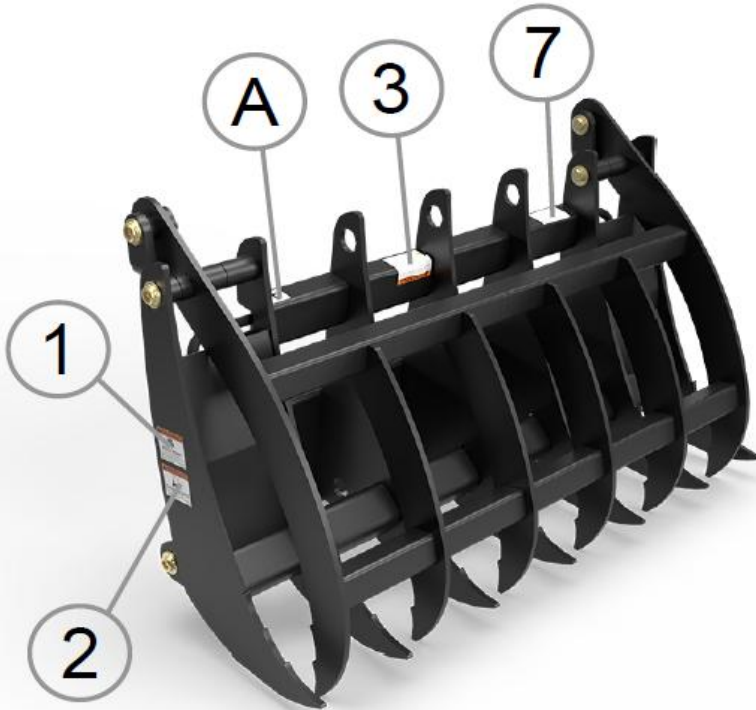
*SHCS—Socket Head Cap Screw

Values lubricated conditions are in ft.-lb. and are recommended unless otherwise noted.

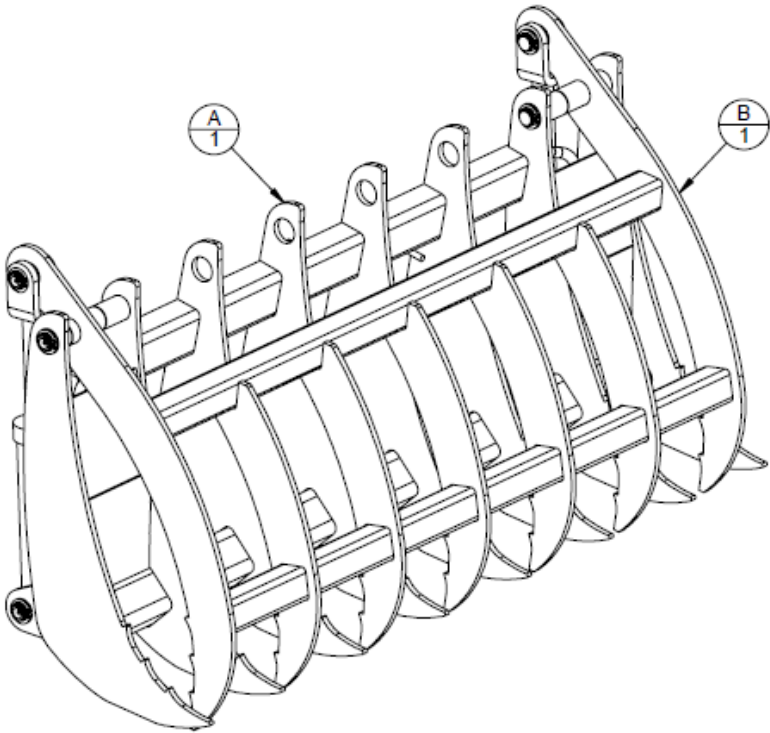
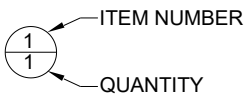
Mini Skid Steer Root Rake Grapple Labels Parts List

ITEM	PART NO.	QTY	DESCRIPTION
1	5263PP	2	PINCH POINT WARNING LABEL
2	5264PP	2	CRUSH HAZARD WARNING LABEL
3	5265PP	1	HYDRAULIC WARNING LABEL
A	4	1	36 WIDTH LABEL
A	5	1	42 WIDTH LABEL
A	6	1	48 WIDTH LABEL
7	18333PP	1	BAD BOY SERIAL TAG

A – Only one is needed depending on the configuration.



Main Component Assembly



Main Component Assembly Parts List

CRG36			
ITEM	PART NO.	QTY	DESCRIPTION
A	8	1	CRG36 LWR JAW WELDMENT
B	13	1	CRG36 UPR JAW WELDMENT

*This table is model specific.

CRG42			
ITEM	PART NO.	QTY	DESCRIPTION
A	9	1	CRG42 LWR JAW WELDMENT
B	14	1	CRG42 UPR JAW WELDMENT

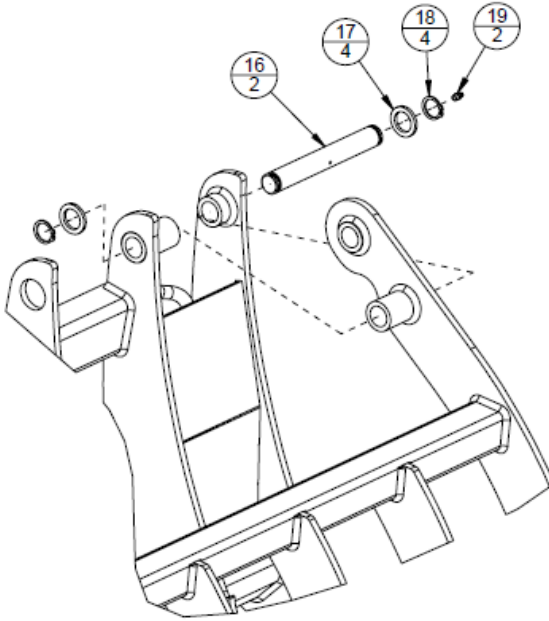
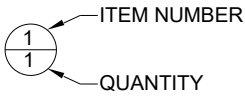
*This table is model specific.

CRG48			
ITEM	PART NO.	QTY	DESCRIPTION
A	10	1	CRG48 LWR JAW WELDMENT
A	11	1	CRG48 ASV LWR JAW WDT
A	12	1	CRG48 BOBCAT LWR JAW
B	15	1	CRG48 UPR JAW WELDMENT

A – Only one is needed depending on the configuration.

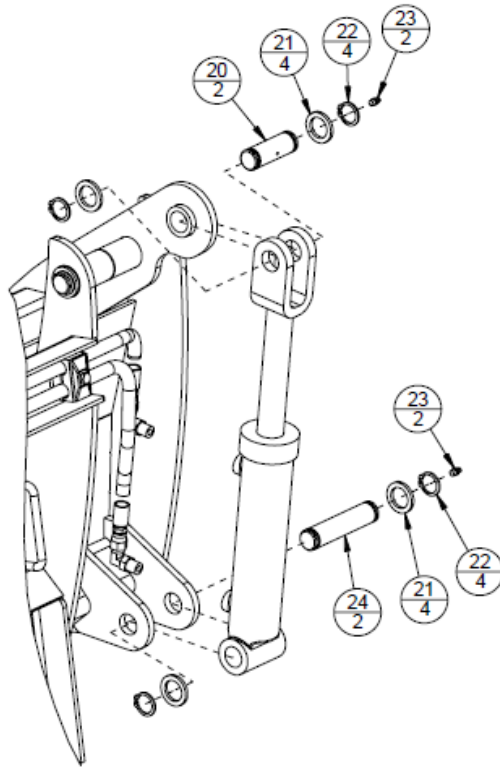
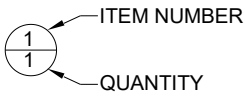
*This table is model specific.

Hinge Pin Installation



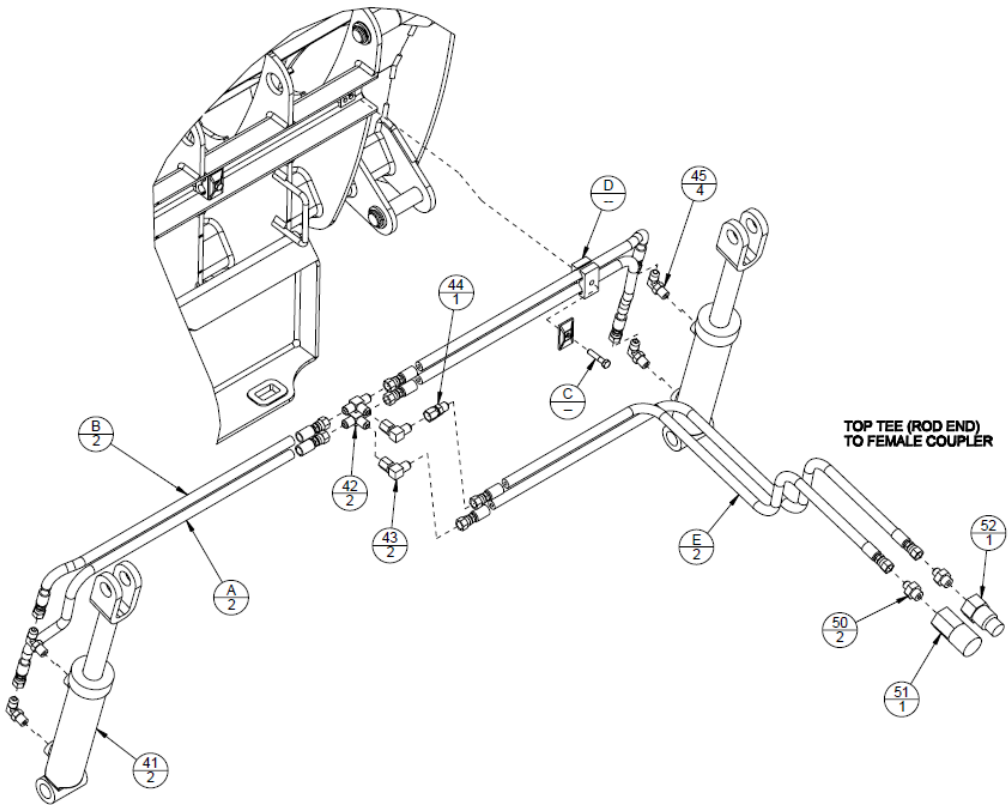
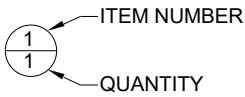
ITEM	PART NO.	QTY	DESCRIPTION
16	11951VP	2	HINGE PIN
17	5146PP	4	1" X 10GA MACHINERY BUSHING
18	5147PP	4	1" EXTERNAL SNAP RING
19	1034PP	2	1/4"-28 STRAIGHT GREASE ZERK

Cylinder Pin Installation



ITEM	PART NO.	QTY	DESCRIPTION
20	5094VP	2	CYLINDER PIN
21	5146PP	8	1" X 10GA MACHINERY BUSHING
22	5147PP	8	1" EXTERNAL SNAP RING
23	1034PP	4	1/4"-28 STRAIGHT GREASE ZERK
24	10927VP	2	PFHA CYLINDER PIN

Hydraulic Routing



Note:

- Both barrel end cylinder ports must be plumbed together.
- Both rod end cylinder ports must be plumbed together.
- Restrictor fitting (Item #44), plumbed to rod ends of cylinders.
- Hose loop on grapple (if equipped) can be used to best route hoses to loader.
- Hoses to loader can be routed toward the right or left. Elbows (item #43) can be aimed to the left or right to better route hoses to loader.
- Hose loop on loader (if equipped) can be used to help secure hoses.

Hydraulic Routing Parts List

CRG36				
ITEM	PART NO.	QTY	DESCRIPTION	
A	25	12293PP	2	HYD HOSE 1/4" X 23 1/2" 6FJX TO 6FJX NO SLEEVE
B	28	1104PP	2	HYD HOSE 1/4" X 18 3/4" LG 6FJX TO 6FJX NO SLEEVE
C	31	1117PP	2	5/16"-18 X 1 1/2" LG HHCS
D	36	1067PP	2	HOSE CLAMP FOR 1/4" HOSES

*This table is model specific.

CRG42				
ITEM	PART NO.	QTY	DESCRIPTION	
A	26	13865PP	2	HYD HOSE 1/4" X 26 1/2" 6FJX TO 6FJX NO SLEEVE
B	29	6996PP	2	HYD HOSE 1/4" X 22" LG 6FJX TO 6FJX NO SLEEVE
C	32	1117PP	2	5/16"-18 X 1 1/2" LG HHCS
D	37	1067PP	2	HOSE CLAMP FOR 1/4" HOSES

*This table is model specific.

CRG48				
ITEM	PART NO.	QTY	DESCRIPTION	
A	27	14172PP	2	HYD HOSE 1/4" X 29 1/2" 6FJX TO 6FJX NO SLEEVE
B	30	12173PP	2	HYD HOSE 1/4" X 25" LG 6FJX TO 6FJX NO SLEEVE
C	33	1117PP	4	5/16"-18 X 1 1/2" LG HHCS - STANDARD
C	34	1117PP	4	5/16"-18 X 1 1/2" LG HHCS - ASV
C	35	1117PP	2	5/16"-18 X 1 1/2" LG HHCS - BOBCAT
D	38	1067PP	4	HOSE CLAMP FOR 1/4" HOSES - STANDARD
D	39	1067PP	4	HOSE CLAMP FOR 1/4" HOSES - ASV
D	40	1067PP	2	HOSE CLAMP FOR 1/4" HOSES - BOBCAT

C – Only one is needed depending on the configuration.

D – Only one is needed depending on the configuration.

*This table is model specific.

Hydraulic Routing Parts List (cont.)

ITEM	PART NO.	QTY	DESCRIPTION	
	41	10884PP	2	2" BORE 6" STROKE CYLINDER
	42	1013PP	2	TEE THREE WAY 6MJ
	43	1012PP	2	ELBOW 90 6FJX TO 6MJ
	44	1131PP	1	3/32" DIA RESTRICTOR FITTING IN LINE 6 JIC
	45	6997PP	4	ELBOW 90 6MJ TO 6MB
E	46	12174PP	2	HYD HOSE 1/4" X 46" LG 6FJX TO 6FJX W/ SLEEVE
E	47	13863PP	2	HYD HOSE 1/4" X 54" LG 6FJX TO 6FJX W/ SLEEVE
E	48	10488PP	2	HYD HOSE 1/4" X 60" LG 6FJX TO 6FJX W/ SLEEVE
E	49	1126PP	2	HYD HOSE 1/4" X 80" LG 6FJX TO 6FJX W/ SLEEVE
	50	1145PP	2	ADAPTER 6MJ TO 8MB
	51	8494PP	1	COUPLER FEMALE 8FB
	52	8495PP	1	COUPLER MALE 8FB
F	53	9333PP	1	COUPLER 90 ELBOW FEMALE 6MJ
F	54	9334PP	1	COUPLER 90 ELBOW MALE 6MJ

E – Only one set of hoses is needed depending on the configuration.

F – Only used for Hose Package D.

