

25

BAD BOY
MOWERS

E SERIES



MZ SERIES E-MAGNUM

ZERO-TURN MOWER OWNER'S OPERATOR SERVICE MANUAL

For additional information, please see us at

www.badboycountry.com

TABLE OF CONTENTS

Basic Information	Section 1	Page 3
Bad Boy Safety Guidelines.....	Section 2	Page 4
Operation	Section 3	Page 11
Maintenance.....	Section 4	Page 12
Storage and Transportation.....	Section 5	Page 12
Troubleshooting and FAQ	Section 6	Page 13
Controls.....	Section 7	Page 14
Moving Inoperable Mower	Section 8	Page 16
Mower Blade Maintenance.....	Section 9	Page 16
Equipment Lubrication.....	Section 10	Page 16
Mowing Tips.....		Page 17
Service Section		Page 18
Maintenance Log.....		Page 22
Limited Warranty		Page 24
Parts Section		Page P1

THIS MANUAL APPLIES TO THE FOLLOWING EQUIPMENT:

Model	SKU	Deck Width	Transaxle	Front Tire	Rear Tire
Magnum E	BMZ42EV	42"	3400E-Mower Transaxle	11 x 4.00 - 5	20 x 10-8

COMMONLY USED ITEMS AND PART NUMBERS:

42" E-Magnum Blade	700-0028-00
--------------------	-------------

SECTION 1: BASIC INFORMATION

Congratulations on the purchase of your new Bad Boy Mower! The purpose of this manual is to assist operators in maintaining and operating their mower. The information and instructions in this manual can help you in realizing many years of performance from your new Bad Boy. Also, check out our website to learn more about the Bad Boy family at www.badboycountry.com.

WARRANTY REGISTRATION

The Warranty Registration form must be completed within 30 days to validate your warranty. As the new equipment owner, you are expected to see that the registration form is completed by the selling dealer at time of delivery. **Warranty registration should be completed by the selling dealership using the on-line registration site.** Warranty is nontransferable.

MODEL/SERIAL NUMBER

Your mower model and serial numbers are printed on a decal located underneath the seat. The entire alphanumeric code is your serial number. To find your model number, leave the last eight digits off of the serial number. When the time comes, these numbers are necessary for ordering parts.

PARTS/SERVICE

Bad Boy recommends using Bad Boy replacement parts on your mower. Replacement parts are available through your local Bad Boy Mowers Dealer. Remember to have the following information close when ordering parts:

1. Part number
2. Serial number





All warranty repair and service must be handled through your authorized Bad Boy dealer. To locate the nearest dealer, go to the website listed above and click on "Locate a Dealer."

SECTION 2: MOWER SAFETY GUIDELINES

Never allow untrained people to operate this mower. It is the owner's responsibility to get training and see to it that anyone who has permission to use your mower receives the proper training. Do not mow around people. The factory discharge chute is designed to deflect debris downward, but it could be possible for debris to be thrown in a way that can cause damage to people or property. Seek additional training when possible to learn more about safety techniques and practices. **This mower is capable of amputating hands and feet and throwing objects. Failure to observe the following safety instructions could result in serious injury or death.**

RISK LEVELS

The following signal words and meanings are intended to explain the levels of risk associated with this product.

SYM-BOL	SIGNAL	MEANING
	DANGER	Indicates an imminently hazardous situation, which, if not avoided, will result in death or serious injury.
	WARNING	Indicates a potentially hazardous situation, which, if not avoided, could result in death or serious injury.
	CAUTION	Indicates a potentially hazardous situation, which, if not avoided, may result in minor or moderate injury.
	CAUTION	(Without Safety Alert Symbol) Indicates a situation that may result in property damage.

READ ALL INSTRUCTIONS

⚠ WARNING

Basic safety precautions should always be followed when using lawnmowers in order to reduce the risk of fire, electric shock, and personal injury.

⚠ WARNING

Use of this mower should be restricted to individuals who have read and understand and will follow the warnings and instructions that are printed in this manual and on the mower.

⚠ WARNING

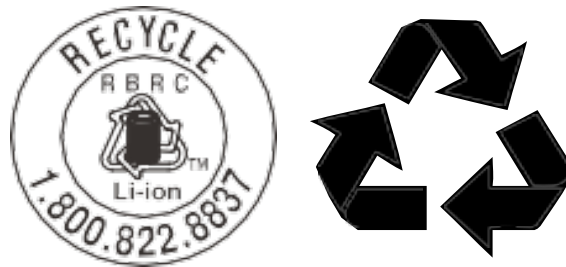
This symbol indicates important safety instructions. If these instructions are not followed, it could endanger the personal safety and/or property of the operator and others. Read and understand all instructions in this manual before attempting to operate the mower. Failure to comply with these instructions may result in personal

⚠ DANGER

This mower was built to be operated according to the rules for safe operation that are contained in this manual. As with any type of power equipment, carelessness or error on the part of the operator can result in serious injury. This mower is capable of amputating body parts and throwing objects. Failure to observe the following safety rules could result in serious injury or death.

ENVIRONMENTALLY SAFE BATTERY DISPOSAL

The toxic and corrosive materials in the batteries used in this machine: **Lithium-Ion, a toxic material.**



▲ WARNING

Discard all toxic materials in a specified manner to prevent contamination of the environment. Before discarding damaged or worn out Li-ion battery, contact your local waste disposal agency, or the local Environmental Protection Agency for information and specific instructions. Take the batteries to a local recycling and/or disposal center, certified for lithium-ion disposal.

▲ WARNING

If the battery pack cracks or breaks, with or without leaks, do not recharge it and do not use. Discard it and replace with a new battery pack. **DO NOT TRY TO REPAIR IT!** To prevent injury and risk of fire, explosion, or electric shock, and to avoid damage to the environment:

- Cover the terminals of the battery with heavy-duty adhesive tape.
- **DO NOT** try to remove or destroy any of the battery pack components.
- **DO NOT** try to open the battery pack.
- If a leak develops, the released electrolytes are corrosive and toxic. **DO NOT** get the solution in the eyes or on skin, and do not swallow it.
- **DO NOT** put these batteries in your regular household trash.
- **DO NOT** incinerate.
- **DO NOT** put them where they will become part of any waste landfill or municipal solid waste stream.

GENERAL OPERATION

- 2.1 Read, understand, and follow all instructions on the mower and in the manual before starting.
- 2.2 Do not put hands or feet near rotating parts or under the mower. Keep clear of the discharge opening at all times.
- 2.3 Always remain seated while operating the mower.
- 2.4 Only allow responsible adults who are familiar with the instructions to operate this mower.
- 2.5 Clear the area of objects such as rocks, wire, toys etc., which could be thrown by the blades.
- 2.6 Always maintain a safe distance from people and pets just prior to and during operation. Stop the mower if anyone enters the area.
- 2.7 Never carry passengers.
- 2.8 Do not mow in reverse unless absolutely necessary. Always look down and behind before and while backing.
- 2.9 Never direct discharged material toward anyone. Avoid discharging material against a wall or obstruction as material may ricochet back toward the operator. Stop the blades when crossing gravel surfaces.
- 2.10 Never operate the mower without the discharge chute, grass catcher, or other safety devices correctly in place and functioning properly.
- 2.11 Slow down before turning.
- 2.12 Always disengage blades, place steering controls in neutral, engage parking brake, and remove ignition key when leaving operators seat. Never leave a running mower unattended. Disengage blades when not mowing.
- 2.13 Turn off mower, allow all moving parts to come to a complete stop, and allow to cool before performing any of the following actions: cleaning or inspecting the mower for damage, removing the grass catcher, or unclogging the discharge guard.
- 2.14 Always operate the mower in daylight or with adequate working lights.
- 2.15 Do not operate the mower while under the influence of alcohol or drugs.
- 2.16 Watch for traffic when operating near or crossing roadways.
- 2.17 Always wear eye protection when operating or servicing the mower.
- 2.18 Always wear ear protection, such as earplugs, while mowing.
- 2.19 Use extra care when loading or unloading the mower into a trailer or truck.
- 2.20 Be alert of surroundings. Watch for rocks, stumps, mounds, depressions, and low hanging limbs or objects that could be potentially hazardous while mowing.
- 2.21 Data indicates that operators 60 years of age and above are involved in a large percentage of riding mower related injuries. These operators should periodically evaluate their ability to operate the riding mower safely enough to protect themselves and others from serious injury.
- 2.22 Prevent fires by keeping deck and battery compartment **clear of grass clippings and other debris**. Do not back or park the mower over, or immediately adjacent to, flammable materials.
- 2.23 The Parking brake on the Magnum-E will automatically engage when the arms are in the park position.

SETTING DECK HEIGHT

- 2.24 If your mower is equipped with an actuator motor, raise the deck using the raise /lower switch. Refer to section 7 (Controls). When the deck is raised, set the desired height with the deck height control dial, then lower deck with the raise / lower switch.
- 2.25 If your mower is equipped with a foot pedal, press foot pedal to raise the deck, select your desired deck height with the deck height dial, then slowly release foot pedal.

SLOPE OPERATION

Slopes are a significant factor related to loss of control and tip-over accidents, which can result in severe injury or death. Operation on all slopes requires extra caution. If you cannot back up the slope, or you feel uneasy on it, do not mow it. Avoid operating your mower on hills of over 5° if mowing transverse to the slope, or on a slope of over 10° when driving uphill, or 15° when driving downhill.

- 2.26 Mow up and down slopes, not across.
- 2.27 Watch for holes, ruts, bumps, rocks, or other hidden objects that tall grass can obscure. Uneven terrain could overturn the mower.
- 2.28 Choose a low ground speed when operating the mower on a slope.
- 2.29 Do not mow on wet grass, the tires may lose traction.
- 2.30 Do not attempt to coast down a slope in the neutral position.
- 2.31 Avoid starting, stopping, or turning on a slope. If the tires lose traction, disengage the blades and proceed slowly, straight down the slope.
- 2.32 Keep all movement on slopes slow and gradual. Sudden changes in speed or direction could cause the mower to roll over.
- 2.33 Use extra care while operating the mower with grass catchers or other attachments: they can affect the stability of the mower. Do not use on steep slopes.
- 2.34 Do not try to stabilize the mower by putting your foot on the ground.
- 2.35 Do not mow near drop-offs, ditches, or embankments. The mower could suddenly and dangerously rollover if a tire goes over the edge of a drop-off. Drop-off edges can become extremely weak after rain while appearing deceptively sound.
- 2.36 Be aware of what is located at the bottom of slopes. For example, rocks water, cliffs, and roadways.

CHILDREN

Tragic accidents can occur if the operator is not alert to the presence of children. Children are often attracted to the mower and the mowing activity. NEVER assume that children will remain where you last saw them.

- 2.37 Keep children out of the mowing area and in the watchful care of a responsible adult other than the operator.
- 2.38 Maintain alertness and turn mower off if a child enters the area.
- 2.39 Before and while backing, look behind and down for small children.
- 2.40 Never carry children, even with blades shut off. They may fall off and be seriously injured or interfere with safe mower operation. Children who have been given rides in the past may suddenly appear in the mowing area for another ride and be run over or backed over by the mower.

- 2.41 Never allow children to operate the mower.
- 2.42 Never leave the key in the ignition, especially around children.
- 2.43 Use extreme care when approaching blind corners, shrubs, trees, or other objects that may block your view of a child

TOWING

Maximum towing weight: 300lbs

Maximum towing weight @ 5° slope (any orientation): 260lbs

Towing is not recommended and cautioned against at any grade that is greater than 5°

Max tongue weight: 42" = 45lbs

- 2.44 Tow only with a mower that has a hitch specifically designed for towing. Do not attach towed equipment except at the hitch point.
- 2.45 Follow towing recommendations provided.
- 2.46 Never allow children or others in, on, or around towed equipment.
- 2.47 On slopes, the weight of the towed equipment may cause loss of traction or instability.
- 2.48 Travel slowly and allow extra distance to stop.

GENERAL SERVICE

- 2.49 Do not operate mower in closed areas.
- 2.50 Keep all nuts and bolts tight to be sure the equipment is in safe working condition. Never operate a poorly maintained mower.
- 2.51 Never interfere with the intended function of a safety device or reduce the protection provided by a safety device. Check their proper operation regularly.
- 2.52 Keep the entire mower free of grass, leaves, or other debris build up. Failure to do so can affect the safety and functionality of the mower, as well as increase the danger of a fire due to contact with the hot surfaces of the mower.
- 2.53 Allow mower to cool before storing.
- 2.54 If you strike something with the mower, turn the mower and blades off, engage the parking brake, and inspect the mower for damage. Repair, if necessary, before resuming.
- 2.55 Never make any adjustments or repairs with the mower on.
- 2.56 Check grass catcher components and the discharge guard frequently and replace with manufacturer's recommended parts, when necessary.
- 2.57 Mower blades are sharp. Wrap the blade or wear gloves before servicing them.
- 2.58 Check parking brake operation frequently. Service as required.
- 2.59 Maintain or replace safety and instruction labels, as necessary.
- 2.60 Do not attempt to mount a tire without the proper equipment and experience to perform the job.
- 2.62 Do not touch hot areas of the mower.
- 2.65 Do not use battery-operated ride-on mower in rain.
- 2.61 Always maintain the correct tire pressure. Do not inflate the tires above the recommended pressure. Never weld or heat a wheel and tire assembly. The heat can cause an increase in air pressure resulting in a tire explosion. Welding can structurally weaken or deform the wheel.
- 2.63 Park the mower on level ground. Never allow untrained personnel to service the mower. Understand service procedures before doing work.
- 2.64 Mower deck, frame, and battery compartment should remain free of debris to prevent premature part failures or fire hazards.

SAFETY INTERLOCK SYSTEM

Your Bad Boy mower is equipped with a safety interlock system. This system is designed to prevent property damage and severe injury or death to the operator and bystanders. These interlocks are essential and must be tested before each use. To test the interlock system, follow the steps below. **Note: unless otherwise noted, the operator must be seated properly on the mower during these tests. Additionally, the mower should be equipped with charged batteries.**

- 2.66 With the drive arms in the park position and the mower turned off engage the PTO switch. Then turn the key to the on position. When the mower key is turned on a warning should display on the control panel and the PTO should not engage.
- 2.67 With the Mower key off and the drive arms in the drive position switch the mower key to the on position. When the mower key is turned on a warning should display on the control panel.
- 2.68 With the key on move the arms to the drive position, adjust the travel speed to level 3 via the control panel. Then engage the PTO switch. When the PTO switch is engaged a warning should display on the control panel and the PTO should not engage.
- 2.69 With the drive arms in park move the mower key to the on position. Allow the mower to turn on completely. Then move the drive arms to the drive position and begin to slowly rise off the seat. When the weight is shifted from the seat a warning should appear on the control panel

If the safety interlock system does not operate as described above, an Authorized Service Dealer must repair this safety system immediately. The mower is unsafe to operate in this condition.

BATTERY AND CHARGER

- 2.70 Prevent unintentional starting. Ensure the switch is in the off-position before connecting to battery pack
- 2.71 Remove all batteries from the battery compartment before making any adjustments, changing accessories, or storing mower. Such preventive safety measures reduce the risk of starting the mower accidentally.
- 2.72 Recharge only with the charger specified by Bad Boy. A charger that is suitable for one type of battery pack may create a risk of fire when used with another battery pack.
- 2.73 Use mower only with specifically designated battery packs. Use of any other battery packs may create a risk of injury and fire.
- 2.74 When battery pack is not in use, keep it away from other metal objects, like paper clips, coins, keys, nails, screws or other small metal objects, that can make a connection from one terminal to another. Shorting the battery terminals together may cause burns or a fire.
- 2.75 Under abusive conditions, liquid may be ejected from the battery; avoid contact. If contact accidentally occurs, flush with water. If liquid contacts eyes, additionally seek medical help. Liquid ejected from the battery may cause irritation or burns.
- 2.76 Do not use a battery pack or mower that is damaged or modified. Damaged or modified batteries may exhibit unpredictable behavior resulting in fire, explosion or risk of injury.
- 2.77 Do not expose a battery pack or mower to fire or excessive temperature. Exposure to fire or temperature above 130°C may cause explosion. The temperature of 130°C can be replaced by the temperature of 265°F.

- 2.78 Follow all charging instructions and do not charge the battery pack or mower outside of the temperature range specified in the instructions. Charging improperly or at temperatures outside of the specified range may damage the battery and increase the risk of fire.
- 2.79 Have servicing performed by a qualified repair person using only identical replacement parts. This will ensure that the safety of the product is maintained.
- 2.80 Do not modify or attempt to repair the mower or the battery pack (as applicable) except as indicated in the instructions for use and care.

ON/OFF BOARD CHARGING

Your Magnum-E is equipped with an onboard charging port that allows for charging up to six batteries at a time. Alternatively, offboard charging is an option. Simply remove the batteries from the Mower and charge them accordingly.

PROPOSITION 65

⚠ WARNING

This product contains a chemical known to the state of California to cause cancer, birth defects or other reproductive harm. Some dust created by power sanding, sawing, grinding, drilling, and other construction activities contains chemicals known to cause cancer, birth defects or other reproductive harm. Some examples of these chemicals are:

- Lead from lead-based paints;
- Crystalline silica from bricks and cement and other masonry products;
- Arsenic and chromium from chemically treated lumber.

Your risk of exposure to these chemicals varies depending on how often you do this type of work. To reduce your exposure to these chemicals, work in a well-ventilated area, and work with approved safety equipment, such as dust masks that are specially designed to filter out microscopic particles.

SECTION 3: MOWER OPERATION

Never operate the mower with faulty equipment. Always be alert to sudden changes in landscape as the mower will react differently on slopes or embankments than it will on flat surfaces. Never operate the mower with the discharge chute open. Do not cross terrain, other than grass, with blades turning as this could cause damage to property or bystanders.

- 3.1 Owners must become familiar with the controls before operating a zero-turn radius vehicle. Start slowly and build your skill level. Have ample practice before using the mower at full capabilities.
- 3.2 Make sure nothing is under or around the mower.

- 3.3 Drive arms must be in the "PARK" position. While sitting on the mower, each arm is positioned away from the operator to the left and right. Drive arms will lock into place and must be in this position to start the mower.
- 3.4 Put PTO switch in the OFF position.
- 3.5 Place the key in the ignition. Turn the key to start the mower.
- 3.6 Select the ground speed using the control panel.
- 3.7 Select the PTO speed using the control panel then engage the PTO.
- 3.8 Your mower will perform differently on an incline /decline. Be cautious, slow down, and do not make any sudden jerking movements with control arms. The mower could lose traction on a decline or tip backwards on an incline.
- 3.9 Once you become comfortable with your Bad Boy Mower you will notice your overall mowing time will decrease.

Avoid operating your mower on side hills of over 5 degrees, inclines of over 10 degrees, and declines of over 15 degrees.

SECTION 4: MOWER MAINTENANCE

Maintenance	Interval						Section
	Daily	First 8 Hours	Every 50 Hours or Annually*	Every 100 Hours or Annually*	Every 250 Hours	Every 400 Hours	
Check tire pressure and wheel lug nuts	●						Section 5
Check condition of blades	●						Section 6
Check deck and battery compartment for debris and clean as necessary	●						
Tighten nuts and screws			●				
Grease mower				●			Section 5

* Maintenance by hour or annually whichever comes first

◆ Check air filter more often in dusty conditions

^{Dealer} Get maintenance performed at a registered dealership

SECTION 5: MOWER STORAGE & TRANSPORTATION

- 5.1 Keep the mower from collecting debris by storing in a covered area while not in use.
- 5.2 Secure mower with at least two straps capable of securing the weight of the mower.
- 5.3 Deck height should be set at maximum before attempting to load.
- 5.4 Always secure the mower properly when transporting.
- 5.5 Do not load the mower on a trailer while the blades are engaged.
- 5.6 Do not use ramps to load the mower.
- 5.7 Make sure Parking Brake is in the engaged position for storage and transportation.
- 5.8 In wet conditions, tires may spin during loading/unloading. If necessary, wait for dry conditions before loading/unloading.
- 5.9 Make sure the mode of transportation is suitable to bear the weight of the mower.

SECTION 6: FAQ

6.1 **Q: *How do I prevent an uneven cutting pattern and increase the quality of cut?***

A: Check tire pressure, check blade sharpness (replace blades or sharpen at least once per year or when needed), make sure blades are tightened properly, check spring and belt tension, check the underside of the deck to ensure the mower deck is free of grass build-up and debris, make sure your mower is at full throttle, and vary your mowing pattern each time you cut your grass.

6.2 **Q: *Are my blade bolts right-handed thread?***

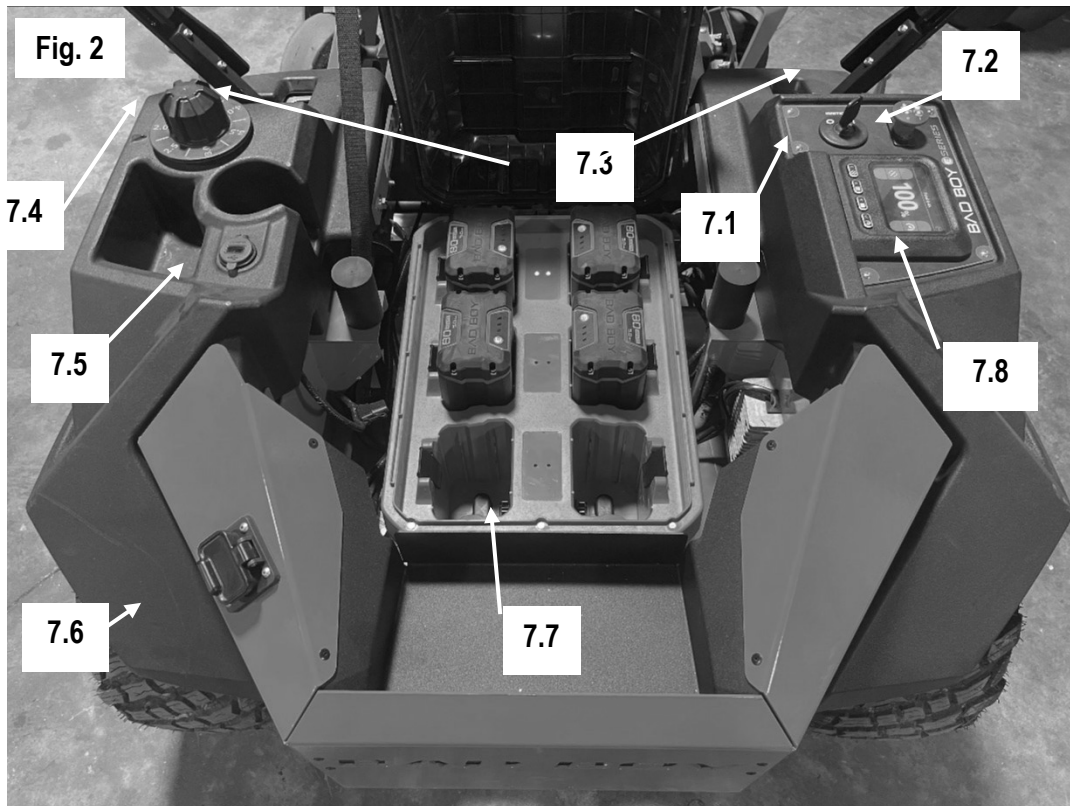
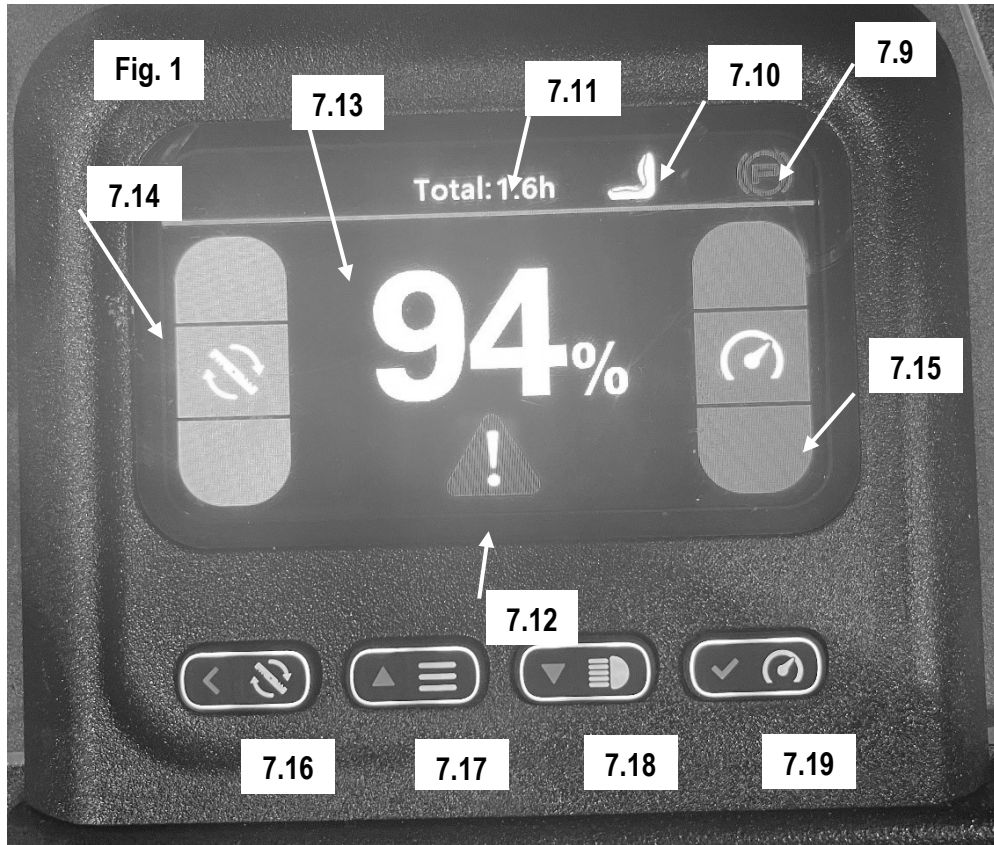
A: Yes. These bolts require counter-clockwise rotation to remove.

CLEANING YOUR MOWER

It is recommended that you use an air hose or blower to remove dust and debris from the mower to ensure there is not a build-up of grass on the mower deck and engine compartment, which could become a fire hazard.

SECTION 7: CONTROLS

- 7.1 **Ignition Switch:** This mower has a two-position ignition switch: off and on. With key inserted, rotate it clockwise to the on position.
- 7.2 **PTO Switch:** This switch engages the blades. Pull the switch up to engage the blades and push the switch down to disengage the blades.
- 7.3 **Control Levers:** These levers control the mower's speed, direction, and neutral lock. These levers are used to steer, accelerate, decelerate and change direction. When in the "PARK" position the control levers automatically engage the parking brake.
- 7.4 **Deck Height Control:** The deck height dial is used to set the cut height of the deck.
- 7.5 **USB Charging Port:** Your mower is equipped with a USB charging port for your accessory needs.
- 7.6 **Charger Plugin:** Port to plug mower into wall charger. This will charge all inserted batteries.
- 7.7 **Battery Pack:** Holds up to 6 batteries for use in the mower.
- 7.8 **Control Panel Display:** Shows mower information.
- 7.9 **Parking Brake Indicator:** This shows that the parking brake is engaged. The parking brake is automatically applied when the control levers are put out into the neutral lock position.
- 7.10 **Seat Indicator:** This shows if the operator is seated on the mower.
- 7.11 **Electronic Hour Meter:** Registers Hour increments up to 9,999.9 total hours. Displays and records the cumulative mower operating time.
- 7.12 **Warning Indicator:** This will show when the mower has a warning. Go into the mower menu to see what code is present.
- 7.13 **Total Battery Level:** This shows the total available battery available from all the inserted batteries.
- 7.14 **Blade Speed Indicator:** This shows the selected blade speed setting.
- 7.15 **Ground Speed Indicator:** This shows the selected ground speed setting.
- 7.16 **Blade Speed / Menu Back:** Pressing this will cycle through low, medium, and high blade speed options. When in a menu this button is used to go back to the previous screen.
- 7.17 **Menu / Menu Up:** Pressing this will enter the menu. When in a menu this button is used to scroll up
- 7.18 **Headlight Switch / Menu Down:** Pressing this will turn the headlights on and off. When in a menu this button is used to scroll down.
- 7.19 **Ground Speed Control / Menu Accept:** Pressing this will cycle through low, medium, and high ground speed options. When in a menu this button is used to accept the selected item. Blade engagement is not supported in the high ground speed setting.



SECTION 8: MOVING INOPERABLE MOWER

- 8.1 Hopefully, you'll never need to use this section of the manual. However, if you do, use extreme caution when moving the mower! You should never try to push or pull the mower by hand. This could cause serious bodily injury.
- 8.2 Do not tow the mower. Use a winch to load on a trailer for transporting.
- 8.3 Magnum-E models are equipped with two neutral bypass rods, located under the rear of the mower protruding from the frame and between the tires. By pushing the arms out, the mower can be put in a neutral position. Return the arms to the center for normal operation. For more information on the neutral bypass rods please reference the service section. (See Fig. 3 on pg. 18)

Your Mower Weighs: **Magnum E-SERIES: 588 lbs.**

****Weights fluctuate with the addition of accessories.*

SECTION 9: MOWER BLADE MAINTENANCE

**(REMEMBER: NEVER CHECK BLADES WHILE MOWER IS ON!
NEVER CHECK BLADES WHILE BLADES ARE ENGAGED!)**

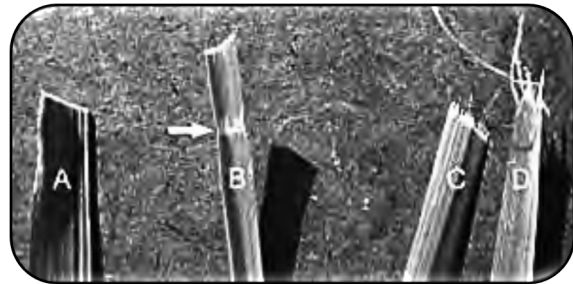
- 9.1 Check mower blades after each use. This is essential for maintaining well-groomed turf. Keep the blades sharp. If a dull blade is used for cutting, the grass will tear rather than cut. This could damage the grass leaving a brown frayed top on the grass within a few hours. A dull blade will also require more power from the mower.
- 9.2 NEVER attempt to straighten a bent blade by heating. NEVER attempt to weld a cracked blade. The blades can break and cause serious injury or death.
- 9.3 NEVER work with blades while mower is running or PTO clutch is engaged.
- 9.4 ALWAYS place PTO clutch in DISENGAGE position while performing maintenance.
- 9.5 Use approved lifting equipment when working underneath your mower.
- 9.6 ALWAYS wear thick gloves when handling blades.
- 9.7 ALWAYS check for blade damage if mower strikes rock, branch, or other objects that could potentially damage the blade.

SECTION 10: EQUIPMENT LUBRICATION

- 10.1 Park the mower on a level surface and disengage the blade control switch.
- 10.2 Move the motion control levers outward to the neutral position, turn key off, remove the key, and wait for all moving parts to stop before leaving the operating position.
- 10.3 Grease Type: NGLI grade #2 multi-purpose gun grease.
- 10.4 Clean the grease fittings with a cloth. Scrape any paint off the front face of the fitting(s).
- 10.5 Connect a grease gun to each fitting. Pump grease into the fitting until grease seepage is observed. Be mindful of over-pressurization. Do not force the grease into the component if excessive back pressure is felt as this can lead to reduced life of the component(s). Wipe up excess grease.
- 10.6 Refer to service manual section for grease fitting locations.

MOWING TIPS:

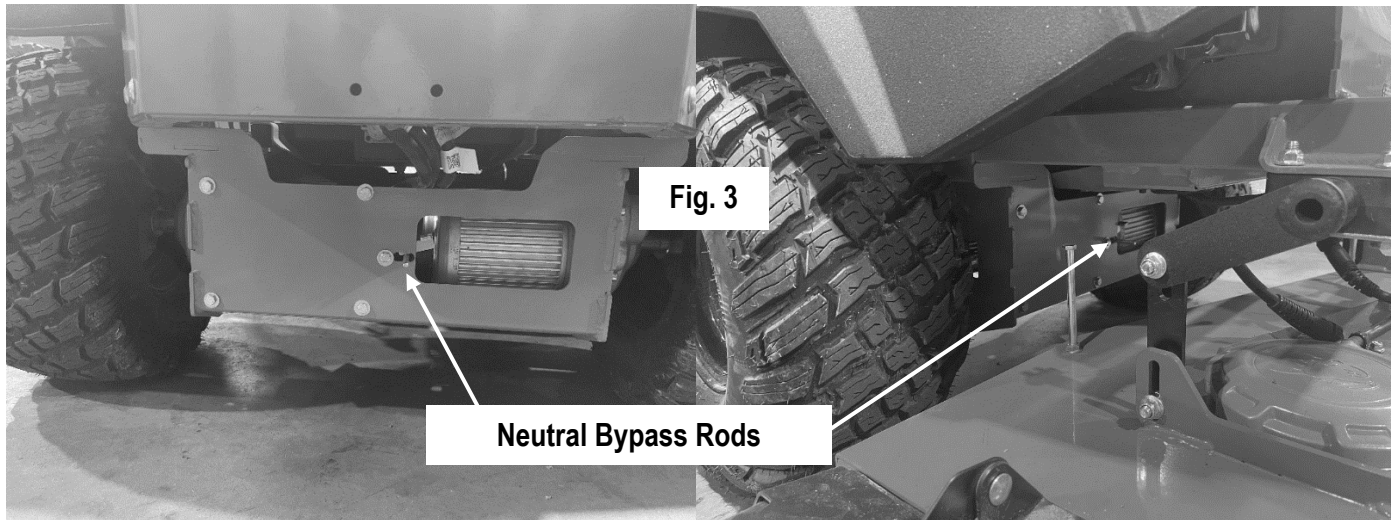
- Mow header strips at the ends of the lawn and around flower beds first. Make them wide enough that you can turn the mower around in the already mown section. Then mow back and forth between these header strips overlapping each lap by about 1/8 the width of the mower's deck.
- Don't cut your grass too short, particularly for cool season grasses. Higher heights usually provide for a deeper root system, looks better, and is less likely to have weeds invading, particularly crabgrass.
- Don't remove any more than one third of the grass leaf at any one cutting. If circumstances arise that a lawn gets too tall break it down into several mowings to get caught up with 3 or so days between cuttings.
- NEVER SCALP YOUR LAWN.** Scalping severely damages the root system to such a degree that it may die.
- Avoid mowing when the grass is wet or when it's dark
- Avoid throwing grass clippings into the street and driveway where they can be washed into the sewer system. After mowing, clean up driveway and walkways.
- When mowing remove only a third with each cutting (except for the first mowing of the season when it's ok to remove more). You can safely leave clippings that will quickly decompose and add nutrients back into the soil. Contrary to popular opinion, grass clippings do not add to thatch buildup. Grass blades are made up of about 75% water.
- Mow your lawn in a different direction with each mowing, especially with lawns of shorter grass types. Altering the direction ensures a more even cut since grass blades will grow more erect and less likely to develop into a set pattern.
- Keep your mower's blade sharp, which means having it sharpened several times during the mowing season. Keep several blades around so you'll always have a sharp one on hand. Sharp blades cut the grass cleanly and help mulch clippings into small pieces which break down quickly.
- Leaf blade A** demonstrates what a leaf blade should look like after mowing with a sharp blade.
- Leaf blade B** demonstrates a leaf blade that was injured by a dull mower blade.
- Leaf blade C** was cut by the mower but indicates that the mower blade is not sharp enough. The shredded white tissue protruding from the leaf blades C and D is the vascular tissue of the plant.
- Leaf blade D** has been mown for quite some time with a dull mower blade.



SERVICE SECTION

TRANSAXLE BYPASS

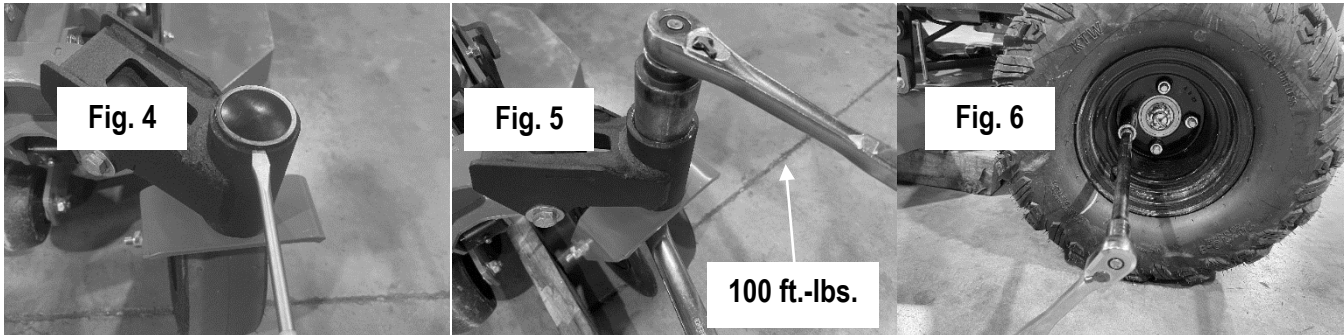
Under the rear of the mower and between the tires, you will find the two rods shown in Fig. 3. These neutral bypass rods serve as a neutral for moving the mower while unpowered. Push the rods out and the lock will drop down to hold them in place to activate the bypass. Lifting the locks will allow the bypass rods to return to the operating position.



CASTER AND WHEEL

To access the recessed front fork nuts, remove the dust cap by prying gently using a flat-head screwdriver. Once cap is removed, a 1 7/16" socket will be needed for top nut. You will need to secure the bolt with a 1 1/2" wrench. The front fork nuts require a torque of 100ft-lbs. Reapply the dust cap by gently tapping around its edges. Do NOT hit center of cap.

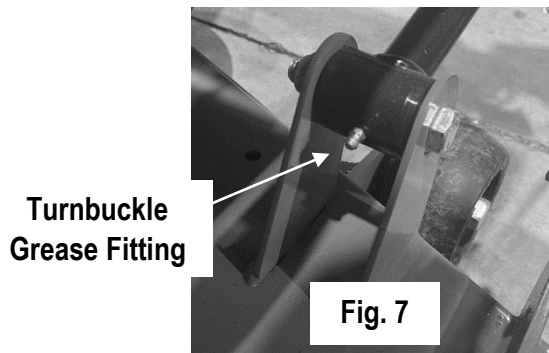
Torque rear wheel lugs to 65-75ft. lbs. Re-torque at every oil change and before each use.



The Front suspension is not adjustable, it is set to specifications at the factory.

GREASE LOCATIONS

There are two grease fittings located on each of the two turnbuckles (4 total). Grease at every oil change. Fig. 7.



CUTTING DECK

BLADE SHARPENING

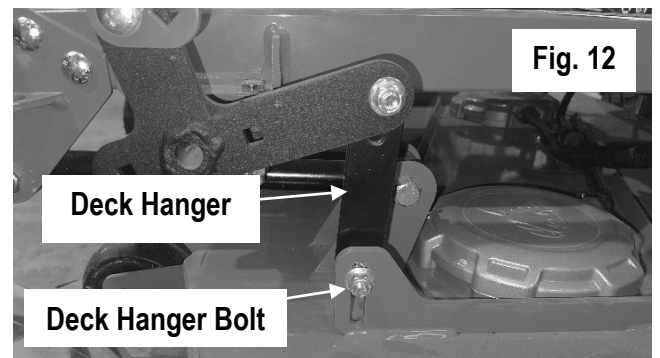
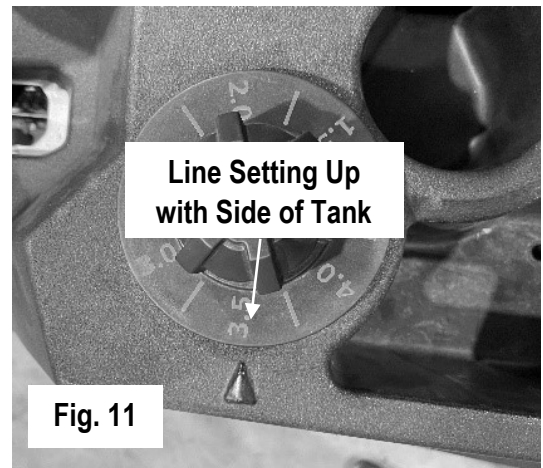
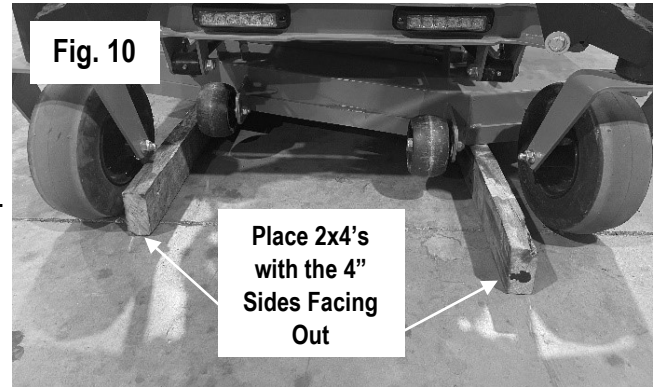
The blade on the top (see Fig. 8) was utilized long after replacement was required. In addition to a decline in cut quality, failure to replace a worn or damaged blade creates a major safety hazard. Bad Boy recommends that blade sharpening be performed by a professional.



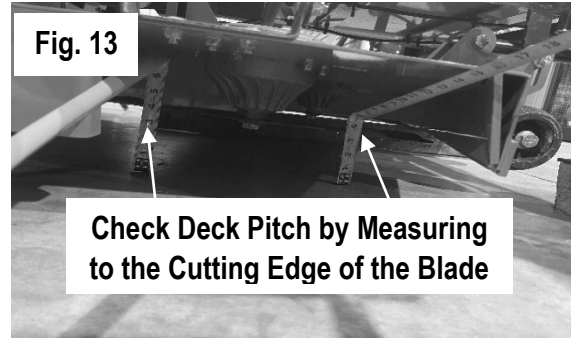
LEVELING THE DECK

Before leveling the deck, please verify linkage bar is secured properly as described in the picture to the right.

1. Start on a flat, level surface. Then set the air pressure in the rear tires to 12 psi and the front tires to 20 psi. Measure the deck at all four corners. The deck should be level from left to right but should be pitched downward front to back. The deck pitch is achieved by measuring from the cutting edge of the blade to the ground. Bad Boy recommends having a $\frac{1}{4}$ " pitch down in the front measured from the cutting edge of the blade. Adjustments can be made by adjusting the deck hangers in their slots.
2. Using a pair of approximately 3 ft. long 2x4's, stand the boards on edge and slide them under the deck from front to back as shown in Fig. 10. Making sure the deck wheels and blade bolts do not rest on the 2x4's, and that the front and back edge of the deck rest on the 2x4's.
3. Lower the deck down onto the 2x4's using either the deck lift pedal or the electric actuator, whichever your mower is equipped with. **Check that the spindle bolts, blades, and stripping kit (if equipped) are not between the deck and 2x4s.** The deck should now be approximately 3 1/2" off the ground.
4. Using a pair of 9/16" wrenches, loosen all deck hanger bolts on the top of the deck. These are the lower bolts in the slots of the deck as shown in Fig. 12. Do not loosen the upper bolts that attach the deck hangers to the actuator lift bars.
5. The deck is now loose from the frame and movement of the lift pedal or electric actuator should only move the hanger bolts up and down in the deck slots.

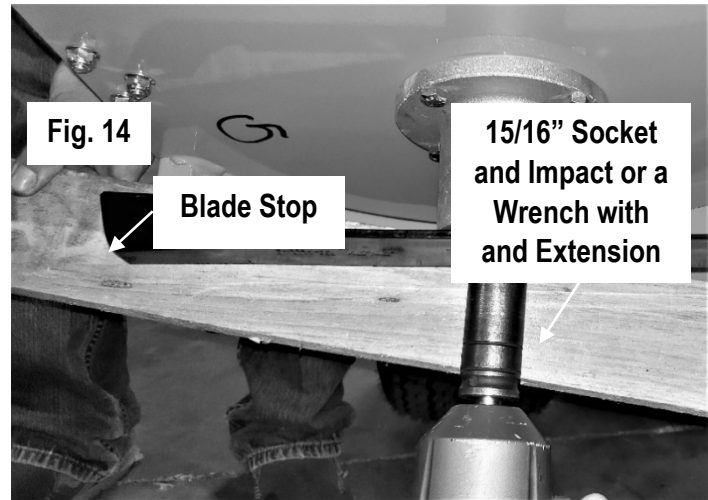


6. Set the deck dial to the 3.5 position, tighten all deck hanger bolts in their slots starting from the rear of the deck then moving to the front. Lift the deck to the highest position. Measure all four corners of the deck again to ensure that no further adjustments are necessary. The front of deck should be $\frac{1}{4}$ " lower than rear of deck.
7. Remove 2x4s.



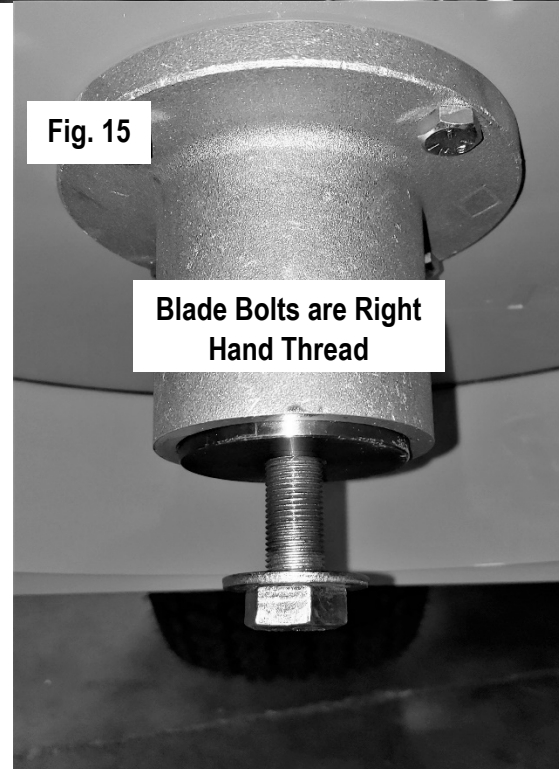
BLADE REMOVAL

To change blades, it may be best to use a piece of wood positioned between the blade and mowing deck to keep the blade from turning. Use a $\frac{15}{16}$ " socket and Bad Boy recommends an impact wrench capable of an output torque of at least 220 ft-lbs. A box wrench and extension can be used, though component damage potential may be increased. The bolt has right-handed threads.



Re-torque the blade bolts to 90-110 ft-lbs. upon re-installation.

The blade spindles contain a sealed bearing inside the top and bottom of the spindle. The bearings are replaceable for a more cost-effective repair. Factors such as water introduction into the bearing will have a major impact on bearing life.



MAINTENANCE LOG

<i>Date:</i>	<i>Hours:</i>	<i>Performed:</i>
<i>Date:</i>	<i>Hours:</i>	<i>Performed:</i>
<i>Date:</i>	<i>Hours:</i>	<i>Performed:</i>
<i>Date:</i>	<i>Hours:</i>	<i>Performed:</i>
<i>Date:</i>	<i>Hours:</i>	<i>Performed:</i>
<i>Date:</i>	<i>Hours:</i>	<i>Performed:</i>
<i>Date:</i>	<i>Hours:</i>	<i>Performed:</i>
<i>Date:</i>	<i>Hours:</i>	<i>Performed:</i>
<i>Date:</i>	<i>Hours:</i>	<i>Performed:</i>
<i>Date:</i>	<i>Hours:</i>	<i>Performed:</i>
<i>Date:</i>	<i>Hours:</i>	<i>Performed:</i>
<i>Date:</i>	<i>Hours:</i>	<i>Performed:</i>
<i>Date:</i>	<i>Hours:</i>	<i>Performed:</i>
<i>Date:</i>	<i>Hours:</i>	<i>Performed:</i>
<i>Date:</i>	<i>Hours:</i>	<i>Performed:</i>
<i>Date:</i>	<i>Hours:</i>	<i>Performed:</i>
<i>Date:</i>	<i>Hours:</i>	<i>Performed:</i>
<i>Date:</i>	<i>Hours:</i>	<i>Performed:</i>
<i>Date:</i>	<i>Hours:</i>	<i>Performed:</i>
<i>Date:</i>	<i>Hours:</i>	<i>Performed:</i>
<i>Date:</i>	<i>Hours:</i>	<i>Performed:</i>


2025 LIMITED WARRANTY
FOR
BAD BOY MZ MOWERS

1. WHAT THIS WARRANTY COVERS, AND FOR HOW LONG:

Bad Boy, Inc. will, at its option, repair or replace, without charge, any part covered by the warranty which is found to be defective in material and/or workmanship for two (2) years or (200) hours* after the date of sale to the original retail purchaser unless the product is used for commercial, industrial, or rental purposes, in which case the Bad Boy MZ mower will carry no warranty, whatsoever.

Belts are warranted for a period of ninety (90) days against materials or workmanship defects.

Seats are warranted for a period of (2) years against material or workmanship defects.

At Bad Boy, Inc.'s request, customer will make the defective part available for inspection by Bad Boy, Inc. and/or return the defective part to Bad Boy, Inc., transportation charges prepaid.

2. WHAT THIS WARRANTY DOES NOT COVER:

- A. This warranty does not cover defects caused by depreciation or damage caused by normal wear, accidents, improper maintenance, improper use or abuse of the product, alterations, or failure to follow the instruction contained in the Owner's Manual for operation and maintenance.
- B. The customer shall pay any charges for making service calls and/or for transporting the mower to and from the place where the inspection and/or warranty work is performed.
Bad Boy Inc will not be responsible for the pickup and delivery of a machine for warranty purposes.
- C. Engines are warranted separately by their respective manufacturer. The available warranties covering this item are furnished with each mower. Bad Boy, Inc does not assume any warranty obligation, liability or modification for this item, which is covered exclusively by the stated warranty of the respective manufacturers.
- D. Tires, blades, deck anti-scalping wheels, and dust covers are considered to be consumable wear items and are therefore not warranted.
- E. Batteries are warranted for six months (free replacement) from the retail purchase date against materials or workmanship defects. The battery warranty must be obtained through the battery manufacturer.
- F. Normal maintenance services such as oil change, cleaning, lubrication, adjustment.
- G. Replacement of services, items, such as oil, lubricants, spark plugs, belts, rubber hoses or other items subject to normal service replacement.

3. HOW TO OBTAIN SERVICE UNDER THIS WARRANTY:

- A. Warranty service can be arranged by contacting the dealer where you purchased the mower. Proof of the date of purchase may be required to verify warranty coverage. Warranty repairs must be completed by an authorized Bad Boy center.
- B. **Warranty claims will not be reviewed or paid unless the warranty registration is received by Bad Boy, Inc. within 30 days of the retail purchase date.**
- C. Warranty claims requiring parts returned will be settled upon return of parts to Bad Boy for inspection.
- D. All warranty issues must be handled through an authorized service center or dealership.

4. WARRANTY LIMITATION:

- A. **THERE IS NO OTHER EXPRESS WARRANTY. ANY WARRANTY THAT MAY BE IMPLIED FROM THIS PURCHASE INCLUDING MERCHANTABILITY AND FITNESS FOR A PARTICULAR PURPOSE IS HEREBY LIMITED TO THE DURATION OF THIS WARRANTY AND TO THE EXTENT PERMITTED BY LAW ANY AND ALL IMPLIED WARRANTIES ARE EXCLUDED.** Some states do not allow limitations on how long an implied warranty lasts, so the above limitations may not apply to you.

- B. **BAD BOY, INC. WILL NOT BE LIABLE FOR ANY INCIDENTAL, CONSEQUENTIAL, OR SPECIAL DAMAGES AND/OR EXPENSES IN CONNECTION WITH THE PURCHASE OR USE OF THE MOWER.** Some states do not allow the exclusion or limitation of incidental or consequential damages, so the above limitation(s) or exclusion(s) may not apply to you.

- C. Only the warranty expressed in this limited warranty shall apply and no dealer, distributor, or individual is authorized to amend, modify, or extend this warranty in any way. Accordingly, additional statements such as dealer advertising or presentations, whether oral or written, do not constitute warranties by Bad boy, Inc., and should not be relied on.
- D. This warranty extends only to turf equipment operated under normal conditions and properly serviced and maintained. The warranty expressly does not cover (i) any defects, damage or deterioration due to normal use, wear and tear, or exposure; (ii) normal maintenance services such as oil change, cleaning, lubrication, adjustment; (iii) replacement of services, items, such as oil, lubricants, spark plugs, belts, rubber hoses or other items subject to normal service replacement; (iv) damage or defects arising out of or relating to misuse, neglect, alteration, negligence or accident; (v) repair or replacement arising from operation of or use of the turf equipment which is not in accordance with operating instructions as specified in the operator's manual or other operational instructions provided by Bad Boy Inc.; (vi) repair or replacement arising as a result of any operation from turf equipment that has been altered or modified so as to, indetermination of Bad Boy, Inc., adversely affect the operation, performance or durability of the equipment or that has altered, modified or affected the turf equipment so as to change the intended use of the product; (vii) repair or replacement necessitated by use of parts, accessories or supplies, including gasoline, oil or lubricants, incompatible with the turf equipment or other than as recommended in the operator's manual or other operational instructions provided by Bad Boy, Inc.; (viii) repairs or replacements resulting from parts or accessories which have adversely affected the operation, performance or durability of the turf equipment; or (ix) damage or defects due to or arising out of repair of turf equipment by person or persons other than an authorized Bad Boy, Inc., service dealer or the installation of parts other than genuine Bad Boy, Inc., recommended parts.
As a condition to this warranty, customer shall have read the operator's manual and ensured the mower has been registered within 30 days of purchase.
- E. This warranty gives you specific legal rights, and you may also have other rights, which vary from state to state.

BAD BOY, INC.
102 INDUSTRIAL DRIVE
BATESVILLE, AR 72501
WWW.BADBOYCOUNTRY.COM

Technical Support:.....techsupport@badboymowers.com

Warranty:warranty@badboymowers.com

Parts:partsdept@badboymowers.com

WARRANTY REGISTRATION

**Ensure selling dealership has registered mower within
30 days of purchase to validate warranty.**

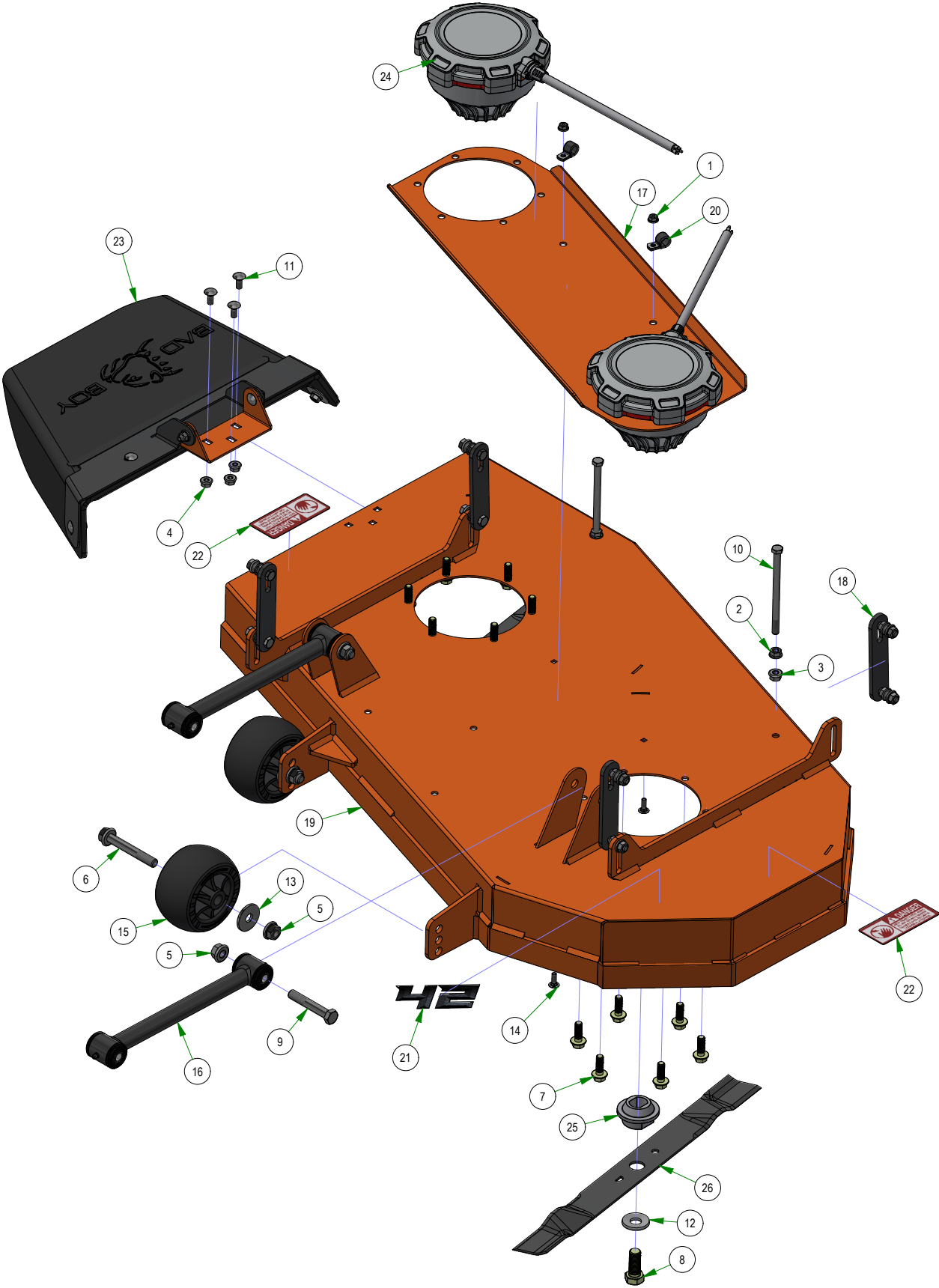
Please record your serial number, date of purchase and dealership information
for your records.

Serial # _____

Date of Purchase _____

Dealer Information _____

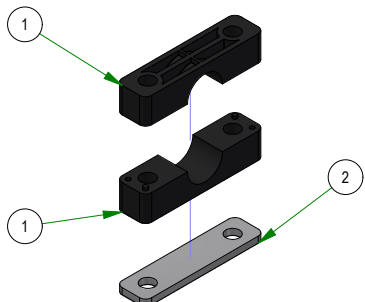
PARTS SECTION: DECK



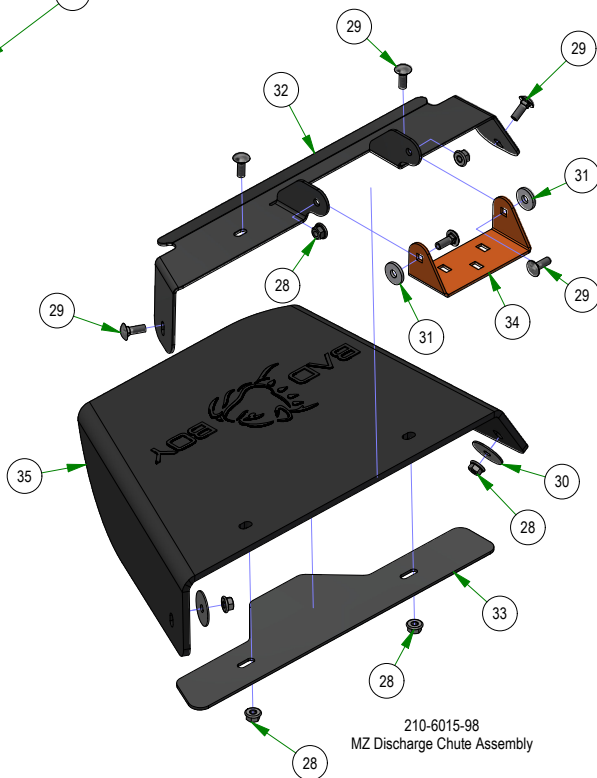
PARTS SECTION: DECK BOM

Parts List				Parts List			
ITEM	QTY	PART NUMBER	DESCRIPTION	ITEM	QTY	PART NUMBER	DESCRIPTION
1	2	013-2050-00	1/4-20 NYL INSERT FLANGE LOCKNUT ZINC	14	2	019-8040-00	1/4-20 X 3/4 CARRIAGE BOLT (GR.5) ZINC
2	2	013-5201-00	3/8-16 HEX SERRATED FLANGE NUT HARD/ZINC	15	2	022-1000-00	Deck Wheel
3	2	013-5202-00	3/8-16 NYLON INSERT FLANGE LOCKNUT (GR.F) ZINC	16	2	028-0004-22	Hybrid Turnbuckle/Deck Locator
4	3	013-8049-00	5/16-18 NYLON INSERT FLANGE LOCKNUT ZINC	17	1	039-0556-00	Residential E Mower 42 Deck Stiffener
5	4	013-8050-00	1/2-13 NYLON INSERT FLANGE LOCKNUT ZINC	18	4	039-2127-17	Deck Hanger Assembly
6	2	018-0010-00	1/2-13 X 90MM HEX FLANGE BOLT W/SHOULDER (GR.8) ZINC	19	1	060-2402-00	Residential E Mower 42 Deck
7	12	018-0112-00	M10 x 1.5mm x 30mm Flanged Hex Head Screw	20	2	071-5001-00	1/2" ID P Clamp
8	2	018-0113-00	M16 x 1.5mm x 40mm 10.9 Hex Head Screw	21	1	091-0502-00	42" Deck Decal
9	2	018-7016-00	1/2-13 X 3 HEX CAP SCREW (GR.5) ZINC	22	2	091-3012-00	Danger Decal-Spindle/Discharge
10	2	018-7060-00	3/8-16 X 5-1/2 HEX CAP SCREW (GR.5) ZINC	23	1	210-6015-98	MZ Discharge Chute Assembly
11	3	018-8062-00	5/16-18 x 3/4 Carriage Bolt	24	2	700-0025-00	Residential E Mower Spindle Motor
12	2	019-0015-00	M16 Conical Lock Washer	25	2	700-0027-00	Residential E Mower Blade Adapter
13	2	019-6020-00	1/2 BELLEVILLE WASHER (1-5/8 OD X .140 THK) ZINC	26	2	700-0028-00	Residential E Mower 42 Blade

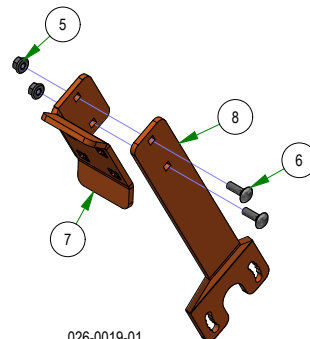
PARTS SECTION: SUB ASSEMBLIES



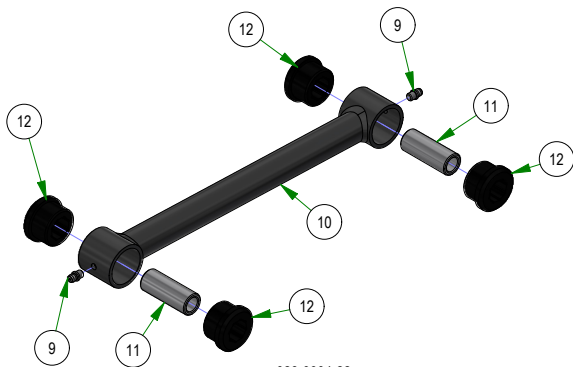
017-9076-00
Pillow Block Kit



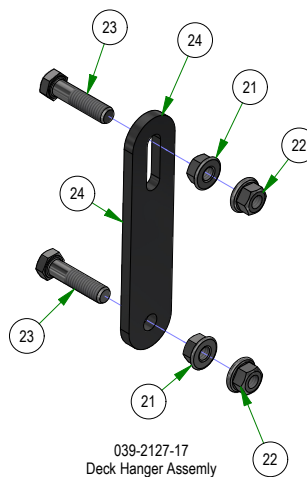
210-6015-98
MZ Discharge Chute Assembly



026-0019-01
Foot Pedal Assembly



028-0004-22
Hybrid Tumbuckle/Deck Locator

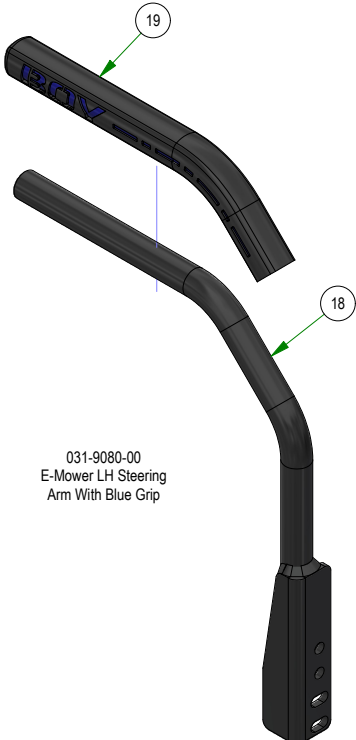


039-2127-17
Deck Hanger Assembly

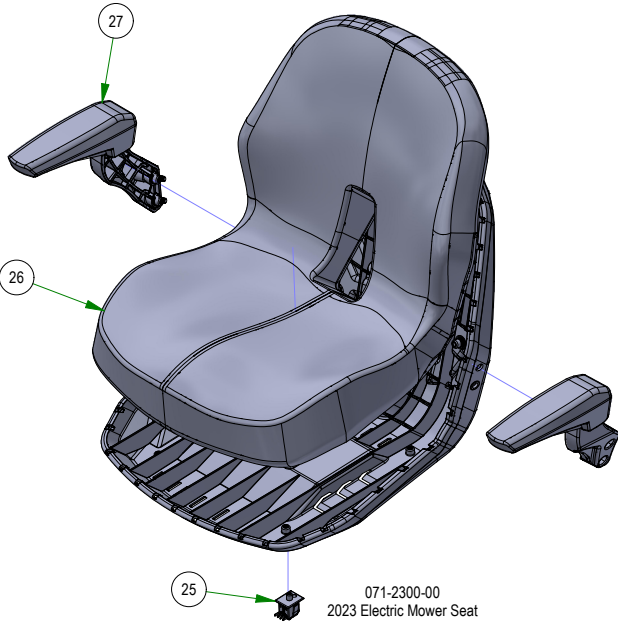
PARTS SECTION: SUB ASSEMBLIES



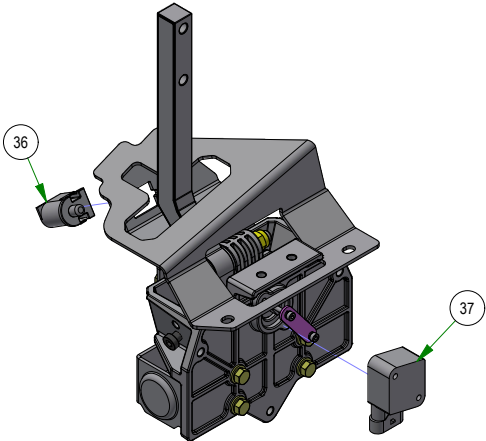
031-9081-00
E-Mower RH Steering
Arm With Blue Grip



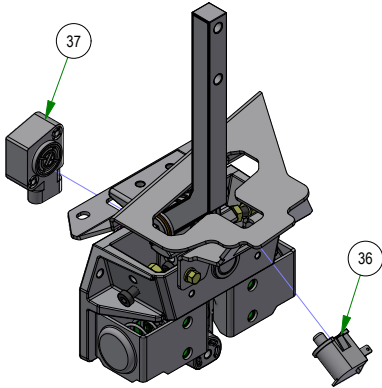
031-9080-00
E-Mower LH Steering
Arm With Blue Grip



071-2300-00
2023 Electric Mower Seat

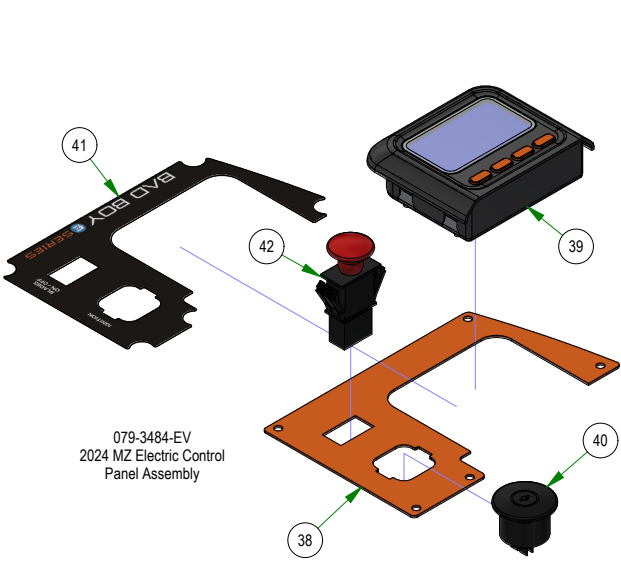


700-0030-00
Residential E Mower
RH Drive Housing

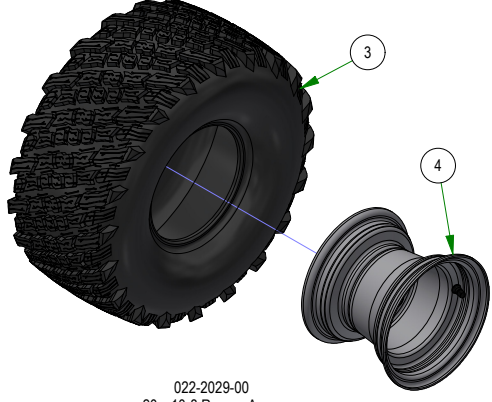


700-0029-00
Residential E Mower
LH Drive Housing

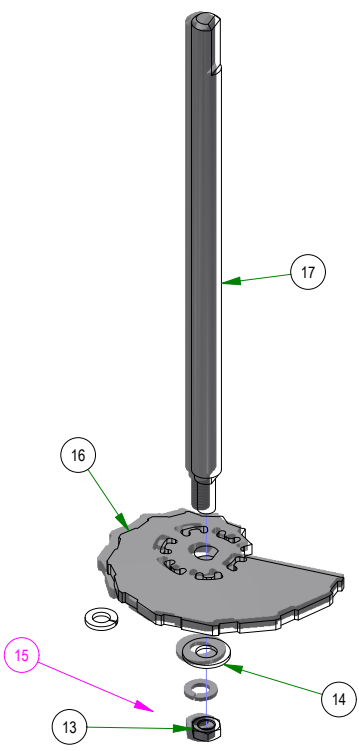
PARTS SECTION: SUB ASSEMBLIES



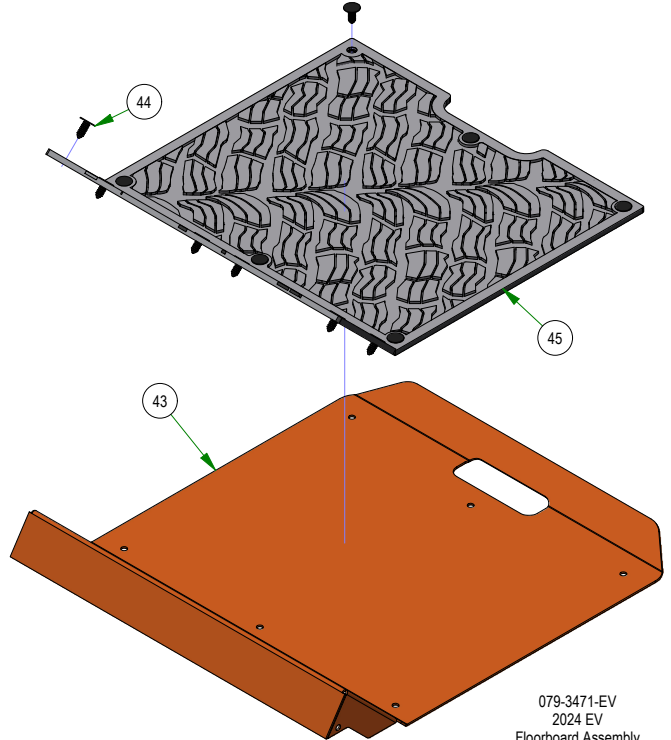
079-3484-EV
2024 MZ Electric Control
Panel Assembly



022-2029-00
20 x 10-8 Reaper Assy.



028-0063-24
Residential E Mower Deck
Height Dial Rod Assembly

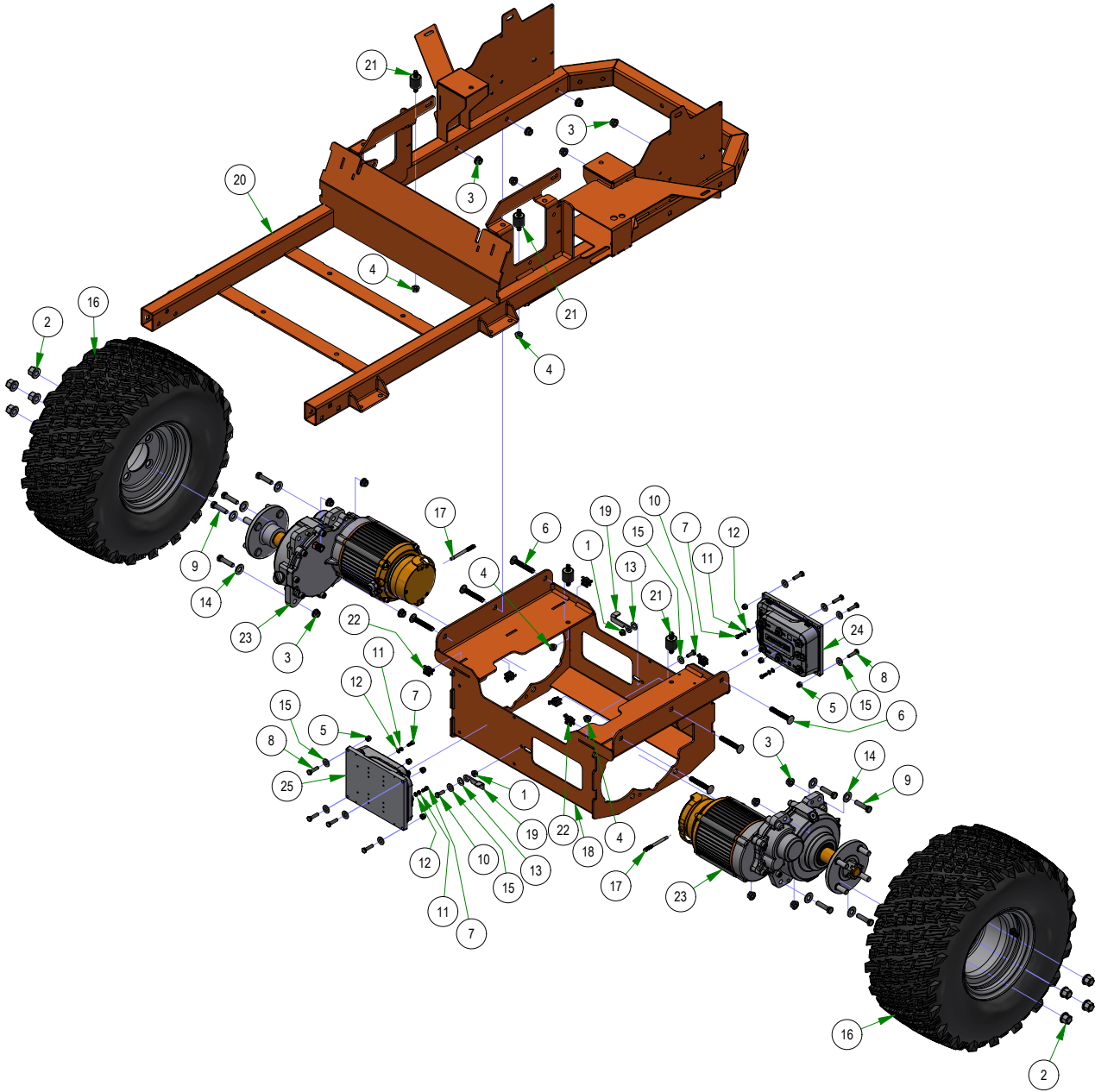


079-3471-EV
2024 EV
Floorboard Assembly

PARTS SECTION: SUB ASSEMBLIES BOM

Parts List				Parts List			
ITEM	QTY	PART NUMBER	DESCRIPTION	ITEM	QTY	PART NUMBER	DESCRIPTION
1	8	017-9077-00	Pillow Block MZ	24	4	039-2127-00	2017 MZ/ZT Deck Hanger
2	4	017-9079-00	Pillow Block Strap	25	1	071-2300-02	Seat Switch
3	2	022-2032-00	20x10-8 4P A2103 Tire Only	26	1	071-2300-01	SK130 Electric Seat Cover
4	2	022-2033-00	8 x 6.375 4H Black Wheel Only	27	1	071-2300-03	Arm Rest Kit
5	2	013-8049-00	5/16-18 NYLON INSERT FLANGE LOCKNUT ZINC	28	6	013-8049-00	5/16-18 NYLON INSERT FLANGE LOCKNUT ZINC
6	2	018-8065-00	5/16-18 X 1 CARRIAGE BOLT (GR.8) ZINC	29	6	018-8066-00	5/16-18 X 7/8 CARRIAGE BOLT ZINC
7	1	026-0019-00	2017 MZ/ZT Shallow Foot Pedal	30	2	019-0002-00	5/16 FENDER WASHER (1-1/2 OD) ZINC
8	1	031-0500-00	2017 MZ/ZT Deck Pedal Lever	31	2	019-6042-00	.360 ID X .983 OD X .120 THICK FLAT WASHER NYLON
9	4	024-0001-00	1/4-28 Grease Fitting	32	1	039-4891-00	Discharge Chute Bracket 48 MZ (Upper)
10	2	028-0004-03	2022 Isolator Turnbuckle Body	33	1	039-4892-00	2017 MZ Discharge Chute Bracket-Lower
11	4	048-6004-00	2018 Maverick Bushing Sleeve	34	1	206-6020-00	Chute Hanger 48 MZ
12	8	048-6005-00	2018 Maverick Bushing	35	1	210-6014-00	Rubber Discharge Chute MZ (Component)
13	1	013-6051-00	3/8-24 HEX NUT ZINC YELLOW	36	2	700-0017-00	Pressure Switch
14	1	019-5029-00	3/8 FLAT WASHER USS (1" OD) ZINC	37	2	700-0019-00	Potentiometer
15	1	019-5037-00	3/8 SPLIT LOCKWASHER ZINC	38	1	079-3484-00	Residential E Mower Control Panel
16	1	026-1100-00	2017 MZ/ZT Cam Plate	39	1	700-0018-00	Residential E Mower Display
17	1	028-0063-00	2023 Residential Electric Mower Dial Rod	40	1	077-8077-00	Ignition Switch
18	1	031-7162-00	Residential E Mower LH Drive Arm	41	1	700-1000-00	Magnum E-Mower Control Panel Decal
19	2	069-4015-00	2023 Steering Grip	42	1	700-0016-00	Special-use Switch
20	1	031-7163-00	Residential E Mower RH Drive Arm	43	1	079-3471-00	Residential E Mower Floorboard
21	8	013-5201-00	3/8-16 HEX SERRATED FLANGE NUT HARD/ZINC	44	12	040-6080-00	Ratchet Fastener
22	8	013-5202-00	3/8-16 NYLON INSERT FLANGE LOCKNUT (GR.F) ZINC	45	1	081-4001-00	2021 Maverick Floor Mat W/ Reaper Tread
23	8	018-6012-00	3/8-16 X 1-1/2 HEX CAP SCREW (GR.5) ZINC				

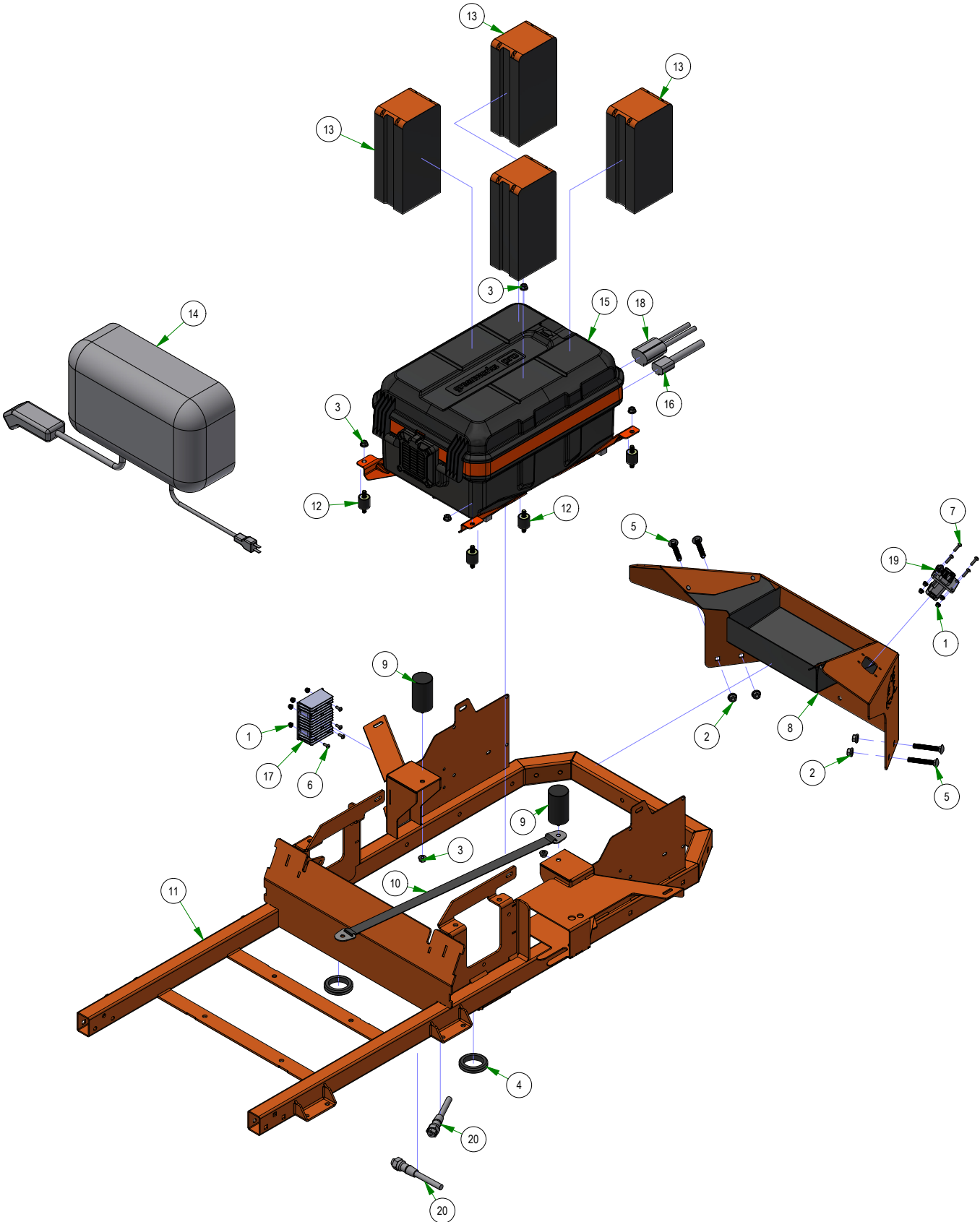
PARTS SECTION: UNDERCARRIAGE



PARTS SECTION: UNDERCARRIAGE BOM

Parts List				Parts List			
ITEM	QTY	PART NUMBER	DESCRIPTION	ITEM	QTY	PART NUMBER	DESCRIPTION
1	2	013-2050-00	1/4-20 NYL INSERT FLANGE LOCKNUT ZINC	14	8	019-5029-00	3/8 FLAT WASHER USS (1" OD) ZINC
2	8	013-3000-00	Acorn Lug Nut	15	10	019-7040-00	1/4 USS FLAT WASHER (3/4 OD) ZINC
3	14	013-5202-00	3/8-16 NYLON INSERT FLANGE LOCKNUT (GR.F) ZINC	16	2	022-2029-00	20 x 10-8 Reaper Assy.
4	4	013-8049-00	5/16-18 NYLON INSERT FLANGE LOCKNUT ZINC	17	2	028-0076-00	2023 Residential Electric Mower Neutral Lever
5	8	013-8073-00	1/4-20 NYLON INSERT LOCKNUT ZINC	18	1	039-1926-00	Residential E Mower Undercarage
6	6	018-0044-00	3/8" x 2 1/2" Carriage Bolt	19	2	039-2161-00	Residential E Mower Neutral Lever
7	16	018-0111-00	M5 x 0.8mm x 14mm 8.8 hex head screw	20	1	070-2403-00	Residential E Mower Frame
8	8	018-4007-00	1/4-20 X 1 HEX CAP SCREW (GR.5) ZINC	21	4	087-0007-00	Vibration-Damping Sandwich Mount
9	8	018-6012-00	3/8-16 X 1-1/2 HEX CAP SCREW (GR.5) ZINC	22	6	214-1007-00	Edge Clip With Ziptie
10	2	018-8052-00	1/4-20 X 3/4 HEX CAP SCREW (GR.5) ZINC	23	2	700-0023-00	Residential E Mower Drive Motor
11	16	019-0013-00	M5 Split Lock Washer	24	1	700-0024-00	Controller of Drive Motor
12	16	019-0014-00	M5 Flat Washer	25	1	700-0026-00	Controller of Blade Motor
13	2	019-2003-00	.390 ID X .750 OD X .062 THK FLAT WASHER NYLON				

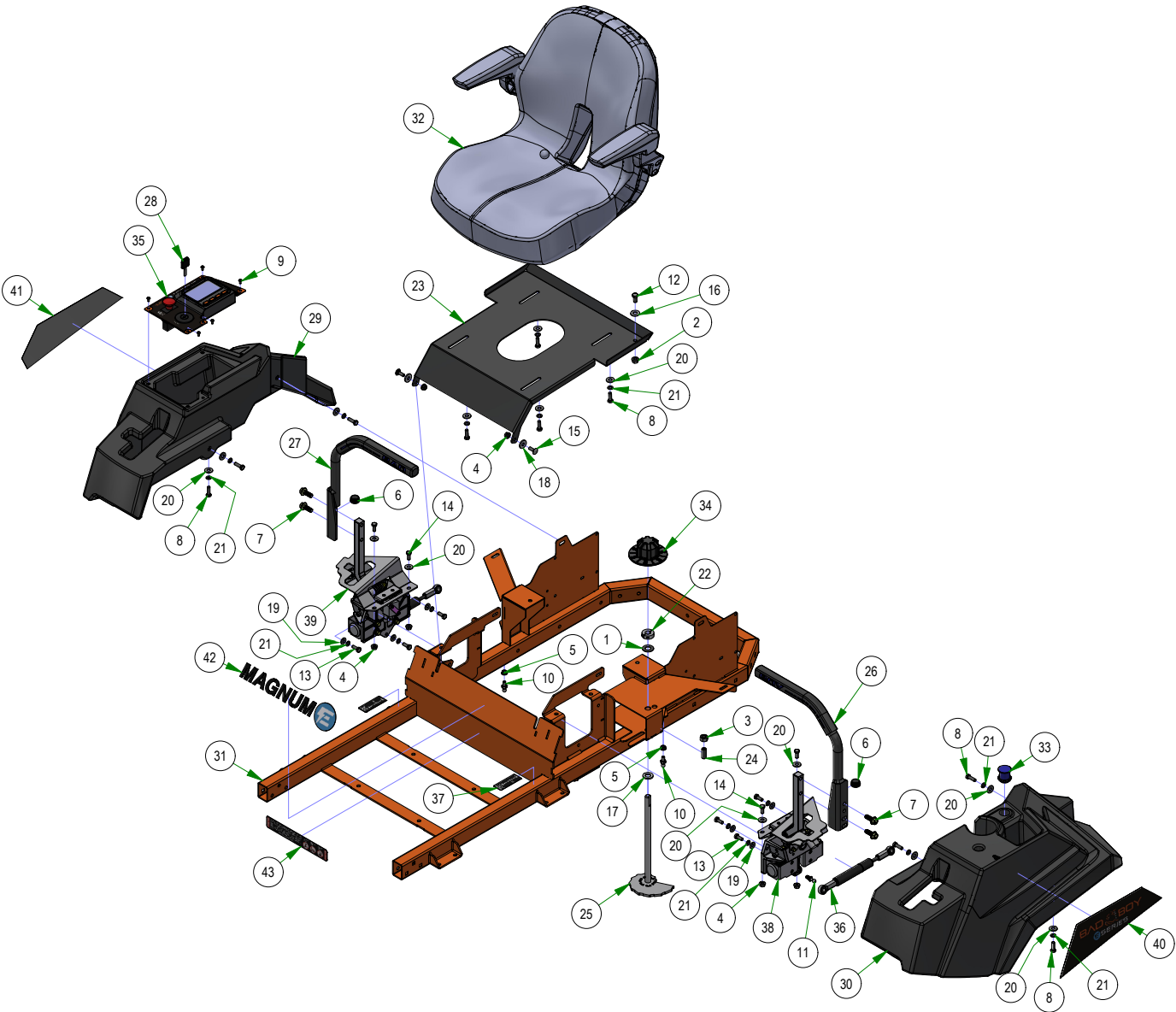
PARTS SECTION: BATTERY BAY AND REAR COVER



PARTS SECTION: BATTERY BAY AND REAR COVER BOM

Parts List				Parts List			
ITEM	QTY	PART NUMBER	DESCRIPTION	ITEM	QTY	PART NUMBER	DESCRIPTION
1	8	013-5019-00	10-24 NYLON INSERT LOCKNUT ZINC	11	1	070-2403-00	Residential E Mower Frame
2	4	013-5202-00	3/8-16 NYLON INSERT FLANGE LOCKNUT (GR.F) ZINC	12	4	087-0007-00	Vibration-Damping Sandwich Mount
3	6	013-8049-00	5/16-18 NYLON INSERT FLANGE LOCKNUT ZINC	13	4	088-7551-00	Battery, 8.0 Ah
4	2	014-2052-00	2019 2" x .25 Rubber Grommet	14	1	088-7552-00	Charger, 80V
5	4	018-0044-00	3/8" x 2 1/2" Carriage Bolt	15	1	700-0014-00	Residential E Mower Battery Pack
6	4	018-8056-00	10-24 X 1/2 BUTTON SOCKET CAP SCREW 18-8 STAINLESS STEEL	16	1	700-0015-00	Control Harness Assembly of Whole Machine
7	4	018-8057-00	10-24 X 3/4 BUTTON SOCKET CAP SCREW 18-8 STAINLESS STEEL	17	1	700-0020-00	Residential E Mower 12v Converter
8	1	026-0376-EV	2024 EV Rear Plate Assembly	18	1	700-0021-00	Power Wiring Harness for Whole Machine
9	2	032-0001-00	2019 Bad Boy X Cylindrical Seat Mount	19	1	700-0032-00	Residential E Mower Charge Port
10	1	064-8083-00	Seat Strap with Buckles	20	2	700-0035-00	Deck Control Harness

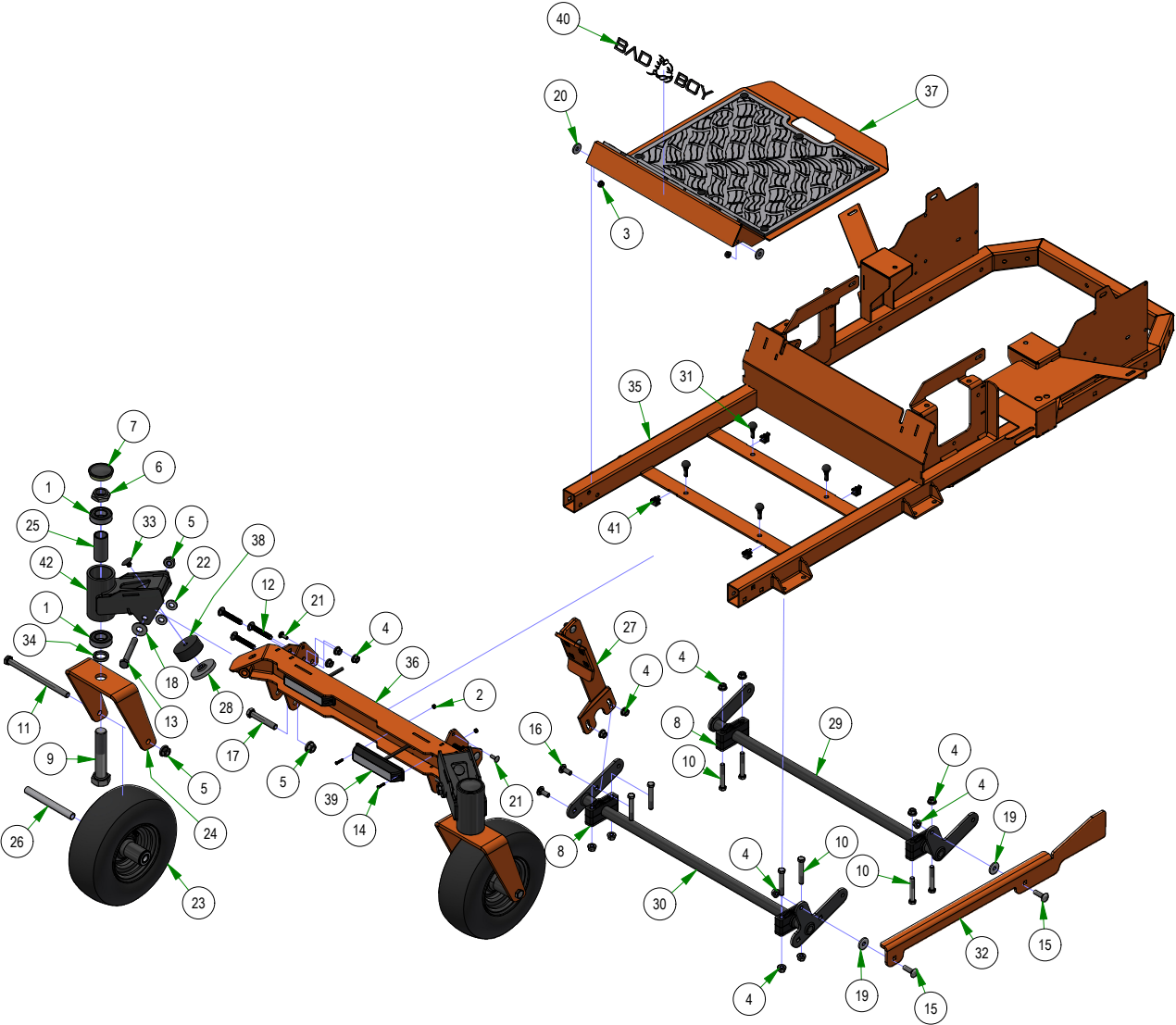
PARTS SECTION: SEAT AND TANKS



PARTS SECTION: SEAT AND TANKS BOM

Parts List				Parts List			
ITEM	QTY	PART NUMBER	DESCRIPTION	ITEM	QTY	PART NUMBER	DESCRIPTION
1	1	013-0080-00	.625 ID x 1.250 OD x .062 THK F/W Nylon	23	1	026-2023-00	Residential E Mower Seat Pan
2	1	013-5202-00	3/8-16 NYLON INSERT FLANGE LOCKNUT (GR.F) ZINC	24	1	028-0008-00	Dial Rod Plunger
3	1	013-7018-00	1/2-13 HEX NUT ZINC	25	1	028-0063-24	Residential E Mower Deck Height Dial Rod Assembly
4	6	013-8049-00	5/16-18 NYLON INSERT FLANGE LOCKNUT ZINC	26	1	031-9080-00	E-Mower LH Steering Arm With Blue Grip
5	2	013-9002-00	5/16-18 HEX SERRATED FLANGE NUT HARD/ZINC	27	1	031-9081-00	E-Mower RH Steering Arm With Blue Grip
6	2	014-9005-00	Snap-in Round Plug	28	1	042-9000-00	Ignition Key
7	4	018-0112-00	M10 x 1.5mm x 30mm Flanged Hex Head Screw	29	1	067-0040-00	Residential E Mower RH Shroud
8	10	018-2007-00	5/16-18 X 1 HEX CAP SCREW (GR.5) ZINC	30	1	067-0041-00	Residential E Mower LH Shroud
9	5	018-2010-00	10-32 X 3/8 BUTTON SOCKET CAP SCREW 18-8 STAINLESS STEEL	31	1	070-2403-00	Residential E Mower Frame
10	2	018-2050-00	10mm Damper Ball Stud-Steering	32	1	071-2300-00	2023 Electric Mower Seat
11	2	018-2060-00	Ball Stud 1.36" Overall Length	33	1	077-2077-00	USB Charger
12	1	018-5250-00	3/8-16 X 3/4 HEX CAP SCREW (GR.5) ZINC	34	1	077-9000-00	MZ/ZT Deck Height Dial
13	6	018-5321-00	M8-1.25 X 20MM DIN 933 HEX TAP BOLT (CL 8.8) ZINC	35	1	079-3484-EV	2024 MZ Electric Control Panel Assembly
14	4	018-8063-00	5/16-18 X 3/4 HEX CAP SCREW (GR.5) ZINC	36	2	087-0004-00	ZT Avenger Steering Dampener
15	2	018-8066-00	5/16-18 X 7/8 CARRIAGE BOLT ZINC	37	1	091-1114-00	2018 LH/RH Steering Control Decal Roll
16	1	019-5029-00	3/8 FLAT WASHER USS (1" OD) ZINC	38	1	700-0029-00	Residential E Mower LH Drive Housing
17	1	019-6017-00	.635 ID X 1.120 OD X .140 THICK FLAT WASHER NYLON	39	1	700-0030-00	Residential E Mower RH Drive Housing
18	2	019-6042-00	.360 ID X .983 OD X .120 THICK FLAT WASHER NYLON	40	1	700-1001-00	E-Mower Tank Decal LH
19	6	019-7040-00	1/4 USS FLAT WASHER (3/4 OD) ZINC	41	1	700-1002-00	E-Mower Tank Decal RH
20	14	019-8044-00	5/16 USS FLAT WASHER (7/8 OD) ZINC	42	1	700-1003-00	Front Cover (Magnum E) Decal
21	16	019-8051-00	5/16 SPLIT LOCKWASHER ZINC	43	1	700-1006-00	E Mower Danger Decal
22	1	025-0002-00	5/8" Split Collar				

PARTS SECTION: FRONT END AND ACTUATOR BARS



PARTS SECTION: FRONT END AND ACTUATOR BARS BOM

Parts List				Parts List			
ITEM	QTY	PART NUMBER	DESCRIPTION	ITEM	QTY	PART NUMBER	DESCRIPTION
1	4	010-1050-00	1641 BEARING W/2 CONTACT RUBBER SEALS	22	4	019-8054-00	.505 ID X 1.000 OD X .125 THICK FLAT WASHER NYLON
2	4	013-0100-00	6-32 Stainless Nylock Nut	23	2	022-8051-22	11 x 4.00 - 5 Front Tire Assembly (Black)
3	2	013-2050-00	1/4-20 NYL INSERT FLANGE LOCKNUT ZINC	24	2	023-0005-00	MZ Front Fork (42" ONLY)
4	18	013-5202-00	3/8-16 NYLON INSERT FLANGE LOCKNUT (GR.F) ZINC	25	2	025-0003-00	2016 Front Bearing Spacer
5	6	013-8050-00	1/2-13 NYLON INSERT FLANGE LOCKNUT ZINC	26	2	025-0008-00	Front Wheel Spanner
6	2	013-9004-00	1"-14 NYLON INSERT JAM LOCKNUT ZINC	27	1	026-0019-01	Foot Pedal Assembly
7	2	014-2025-00	2017 Bearing Cover	28	2	026-1600-00	E Mower Suspension Front End Compression Plate
8	4	017-9076-00	Pillow Block Kit	29	1	028-1001-00	Residential E Mower Rear Actuator Bar
9	2	018-0005-00	1"-14 X 5 HEX CAP SCREW (GR.8) ZINC YELLOW	30	1	028-1002-00	Residential E Mower Front Actuator Bar
10	8	018-0028-00	3/8-16 X 2-1/2 HEX CAP SCREW (GR.5) ZINC	31	4	029-4011-00	2023 Floor Board Rubber Bumper
11	2	018-0035-00	1/2-13 X 7-1/2 HEX CAP SCREW (GR.5) ZINC	32	1	031-0511-00	Residential E Mower Actuator Bar Linkage
12	6	018-0044-00	3/8" x 2 1/2" Carriage Bolt	33	2	040-6082-00	Ribbed Shank Push-In Rivet
13	2	018-0051-00	1/2-13 X 3-3/4 HEX CAP SCREW (GR.5) ZINC	34	2	058-1000-00	1.02 ID X 1.38 OD X .250 THK SPACER ZINC
14	4	018-0110-00	6-32 x 3/4" Stainless Pan Head Phillips Screw	35	1	070-2403-00	Residential E Mower Frame
15	2	018-5043-00	3/8-16 X 1-1/4 CARRIAGE BOLT ZINC	36	1	070-9063-00	Residential E Mower Front End
16	2	018-5044-00	3/8-16 X 1 CARRIAGE BOLT (GR.5) ZINC	37	1	079-3471-EV	2024 EV Floorboard Assembly
17	2	018-7016-00	1/2-13 X 3 HEX CAP SCREW (GR.5) ZINC	38	2	087-0006-00	E Mower Front Suspension Rubber
18	2	019-2040-00	1/2 F/W USS (1-3/8" OD) ZINCC	39	2	089-2070-00	E Mower Headlight
19	2	019-2073-00	.390 ID X 1.12 OD X .125 THK FLAT WASHER NYLON	40	1	091-4063-00	Flying Bulldog Front Bumper Decal
20	2	019-6042-00	.360 ID X .983 OD X .120 THICK FLAT WASHER NYLON	41	4	214-1008-00	Edge Clip With Ziptie
21	2	019-8040-00	1/4-20 X 3/4 CARRIAGE BOLT (GR.5) ZINC	42	2	250-2760-00	Residential E Mower Suspension Arm

PARTS SECTION: DECALS



700-1002-00
E-Mower Tank Decal RH



700-1001-00
E-Mower Tank Decal LH



700-1003-00
Front Cover (Magnum E) Decal



091-4063-00
Flying Bulldog Front Bumper Decal



700-1006-00
E Mower Danger Decal



700-1000-00
Magnum E-Mower Control Panel Decal



091-3012-00
Danger Decal-Spindle/Discharge



091-0502-00
42" Deck Decal



091-1114-00
2018 LH/RH Steering Control Decal Roll



**BAD BOY
MOWERS**

www.badboycountry.com

Bad Boy, Inc.

102 Industrial Drive

Batesville, Arkansas 72501